

BTS Accessories

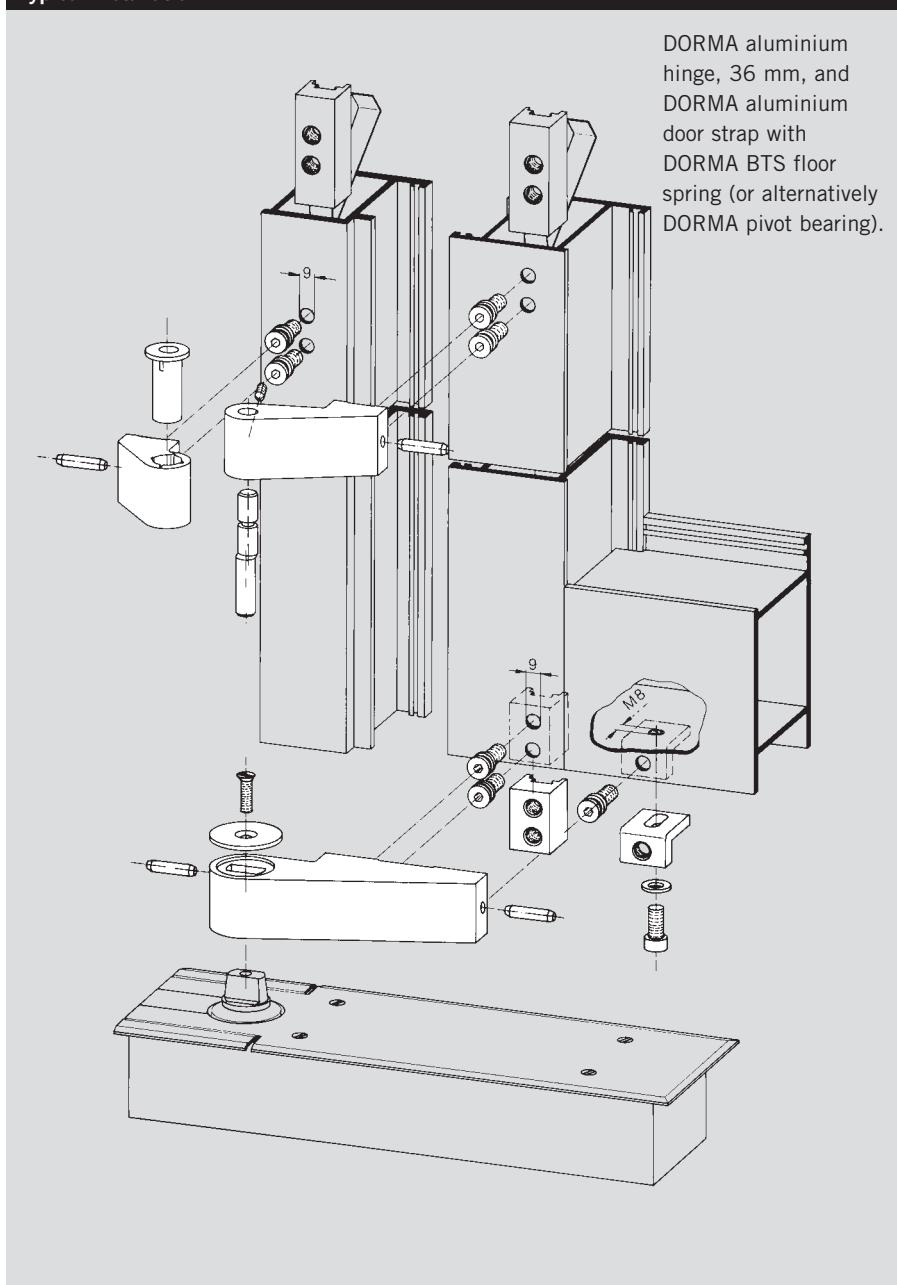
Floor Spring
Accessories

For single action aluminium doors

Aluminium door straps

- For flush-closing single action aluminium doors of various types
- Door width up to 1200 mm, door weight up to 120 kg
- Non-handed
- Easy to fix – no milling or routing necessary, only 4 holes to drill
- Fast and simple installation with lock-pin arrangement
- Robust and secure installation with backplates and reinforcing angle bracket on door strap
- Steel insert press-fitted in aluminium door strap gives close tolerance connection to spindle.

Typical installation



DORMA aluminium hinge, 36 mm, and DORMA aluminium door strap with DORMA BTS floor spring (or alternatively DORMA pivot bearing).

DORMA aluminium door strap

Art. No. 7459

Silver (EV 1, Euras C-0):

Order No. 45010409

Special colours on request.

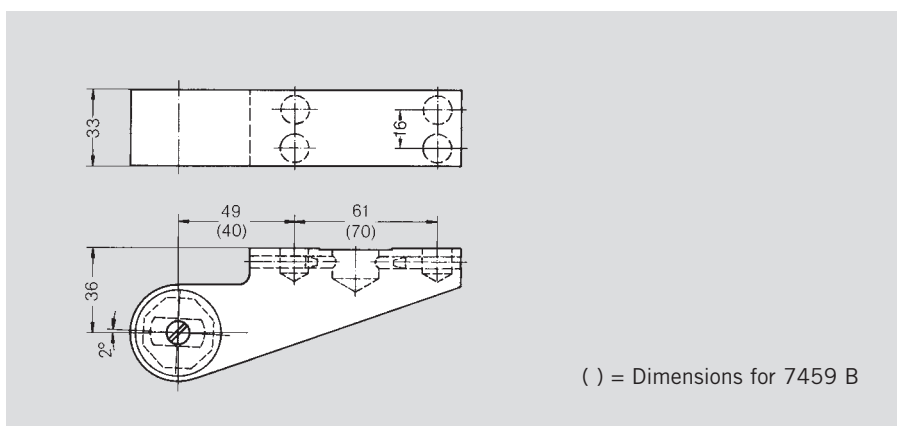
DORMA aluminium door strap

Art. No. 7459 B

Silver (EV 1, Euras C-0):

Order No. 45010482

Special colours on request.



() = Dimensions for 7459 B

Drill jig for aluminium hinges

For standard hinges (9 mm dia.), for IK (insulated construction) hinges (11 mm dia.) and also for 2 and 3-part hinges; indicate dimensions x and y or the profile.

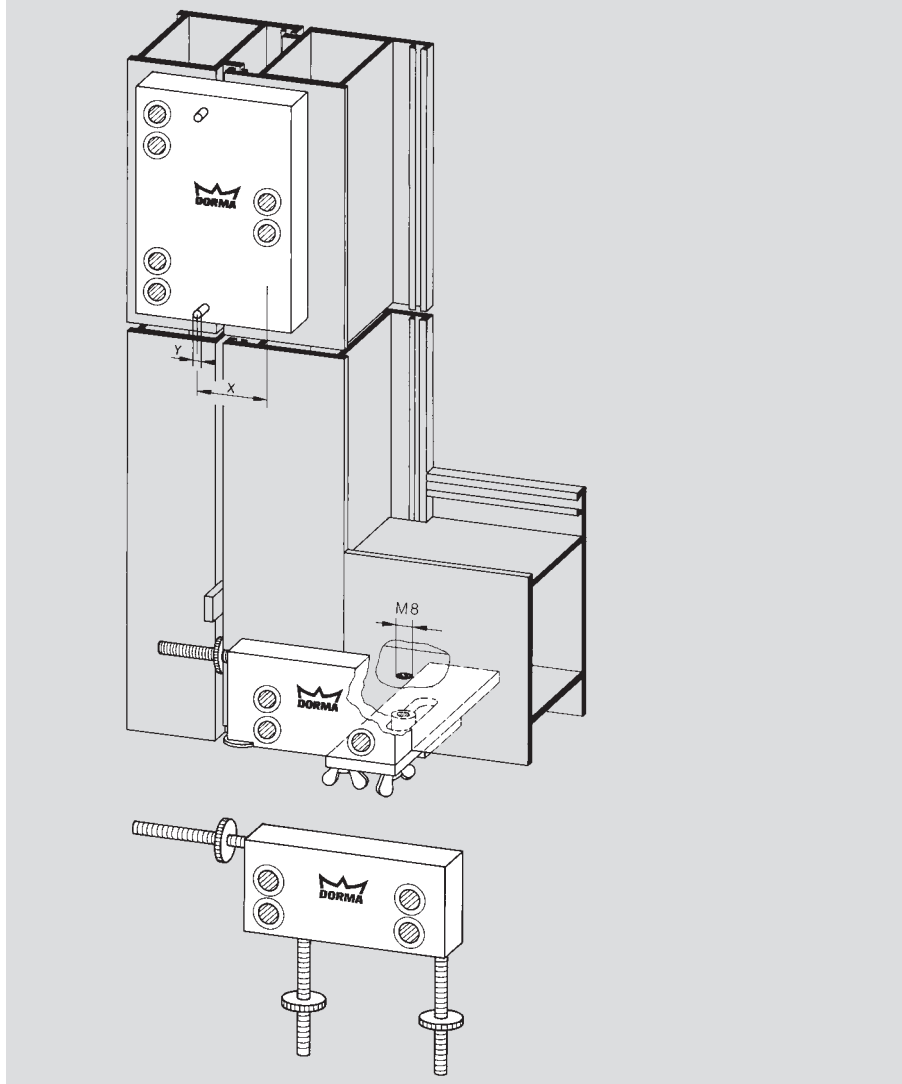
Universal drill jig for aluminium door strap

Art. No. 7459 L
Adjustable to suit various profile systems; for normal doors (9 mm dia.) and also for insulated doors, external fixing (11 mm dia.).
Standard design:
Order No. 45090074
B-type:
Order No. 45090075

Universal drill jig for direct screw-fixing of aluminium door strap

Art. No. 7459 L/D
Adjustable to various profile systems for direct fixing; for normal doors (9 mm dia.) and also for insulated doors, external fixing (11 mm dia.).
Standard design:
Order No. 45090077
B-type:
Order No. 45090078

Drill jigs



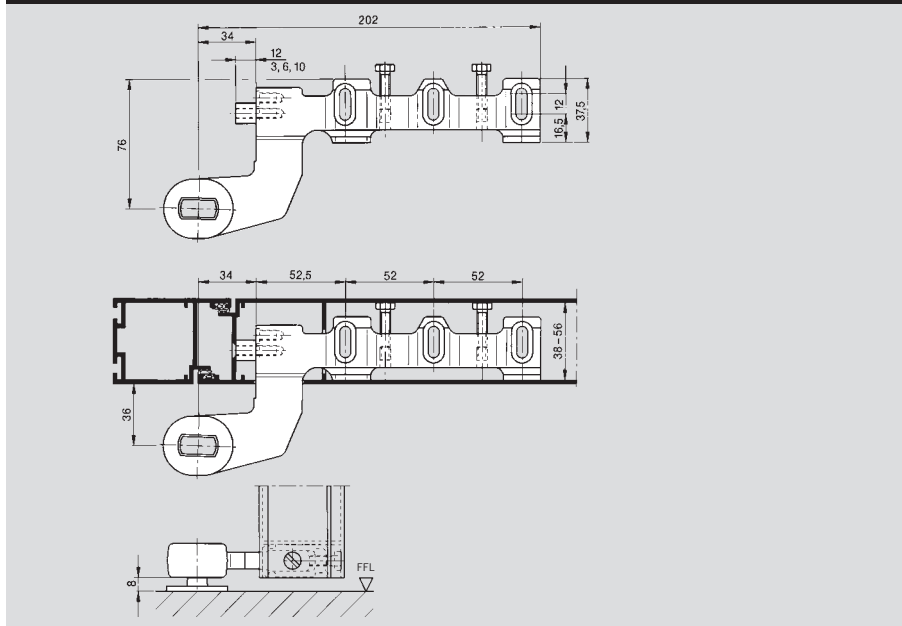
Door strap

Art. No. 7456/1
Drop forged steel; adjustable to various profile systems, non-handed.
Order No. 45010006

Cover caps

See pages 4 and 5,
Art. No. 7481 and 7482.

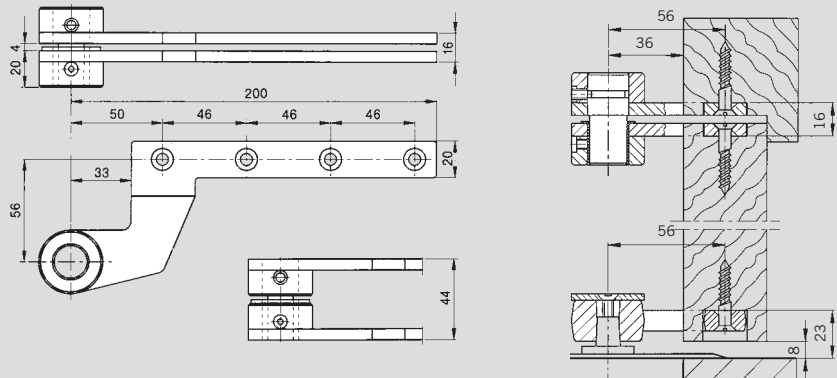
Door strap



For flush-closing doors

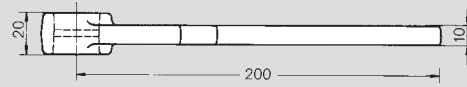
Top centres

Art. No. 7411 K/56
Zinc-plated steel; with eccentric pin and bush for adjustment after hanging the door; non-handed.
Order No. 45300016



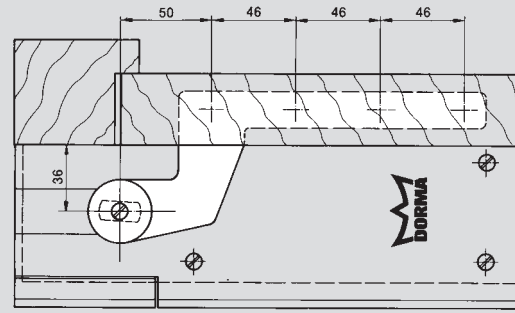
Door strap

Art. No. 7411/56
Drop forged steel, zinc-plated.
Order No. 45010003



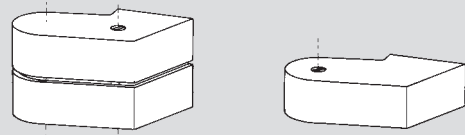
Top washer for door strap

Art. No. 7432
Stainless steel
Order No. 45090030



Cover caps

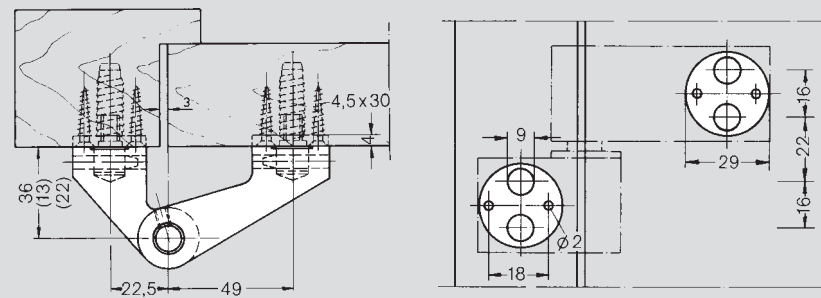
for top centres and door strap



Type	Order No. for cover caps		
	for top centres, two parts	for door strap, single	
		LH (ISO 6)	RH (ISO 5)
Die cast aluminium Art. No. 7483/7481			
Mill finish	45500301	45055300	45051300
Silver (EV 1, Euras C-0)	45500401	45055400	45051400

LM pivot hinges with fixing for non-rebated timber doors

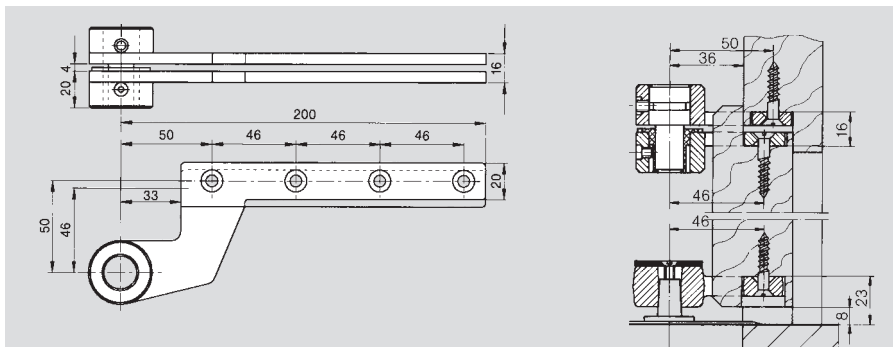
Offset in mm	Art. No.
36	A-36.10
22	A-22.10
13	A-13.10



For rebated doors

Top centres

Art. No. 7411 K/46
Zinc-plated steel; with eccentric pin and bush for adjustment after hanging the door; handed.
LH (ISO 6) door
Order No. 45305015
RH (ISO 5) door
Order No. 45301015



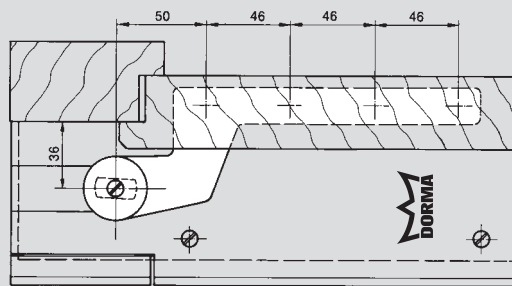
Door strap

Art. No. 7411/46
Drop forged steel, zinc-plated.
Order No. 45010000



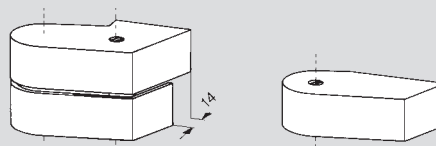
Top washer for door strap

Art. No. 7432
Stainless steel
Order No. 45090030



Cover caps

for top centres and door strap

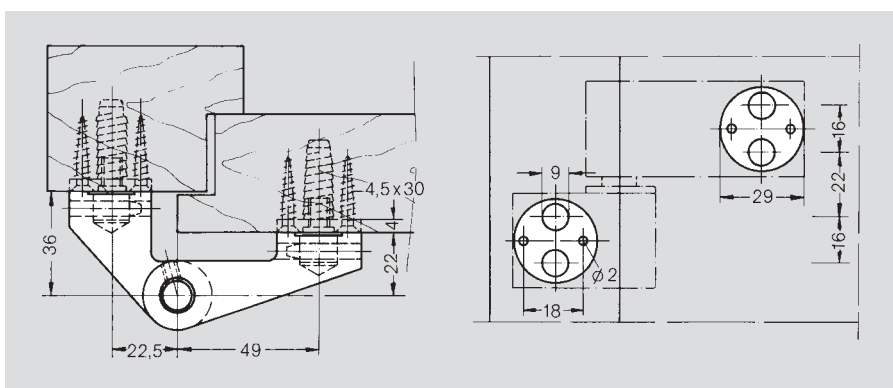


Type	Order No. for cover caps			
	for top centres, two parts		for door strap, single	
	LH (ISO 6)	RH (ISO 5)	LH (ISO 6)	RH (ISO 5)
Die cast aluminium Art. No. 7484/7482 Silver (EV 1, Euras C-0)	45505400	45501400	45055401	45051401

LM pivot hinges with fixing for over-rebated timber doors

Drill jig for flush closing and over-rebated doors

Dimension x = 50.5 mm,
Dimension y = 3 mm



For single action steel doors

Weld-on accessories

Top centres

Art. No. 7431 K
Steel, primed; with eccentric pin and bush for adjustment after hanging the door; non-handed.
Order No. 45300012

Door strap

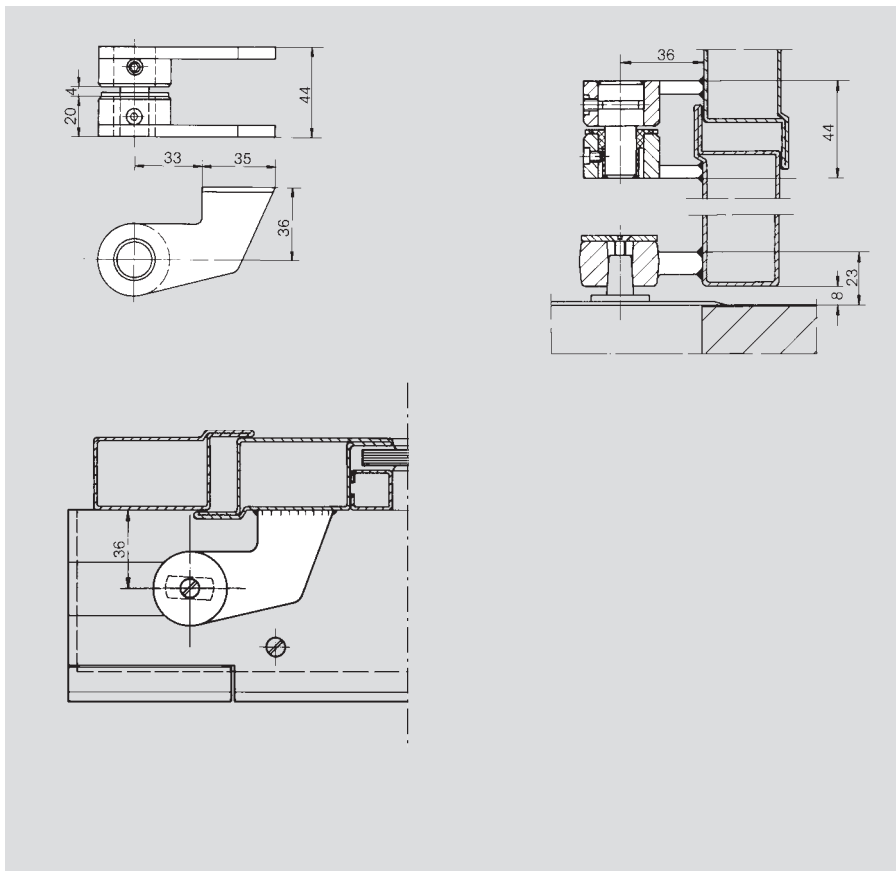
Art. No. 7431
Drop forged steel, primed
Order No. 45010005

Top washer for door strap

Art. No. 7432
Stainless steel
Order No. 45090030

Cover caps

see pages 4 and 5



Weld-on accessories

Top centres

Art. No. 7441 K
Steel, primed; with eccentric pin and bush for adjustment after the door is hung; non-handed.
Order No. 45300014

Door strap

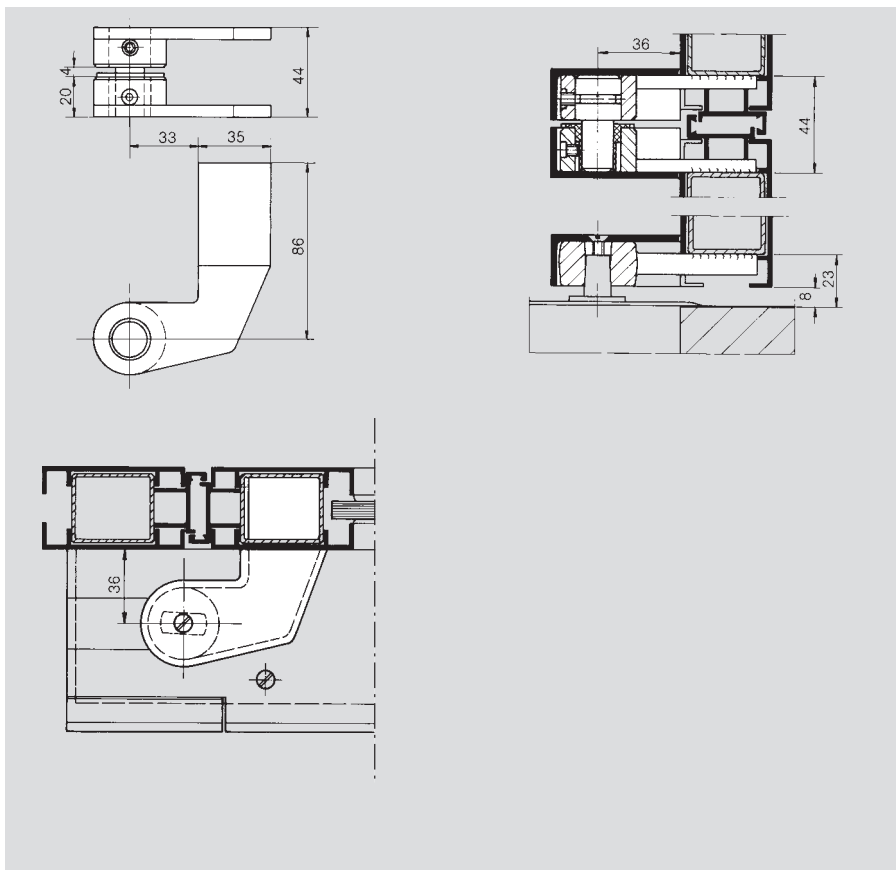
Art. No. 7441
Drop forged steel, primed
Order No. 45010007

Top washer for door strap

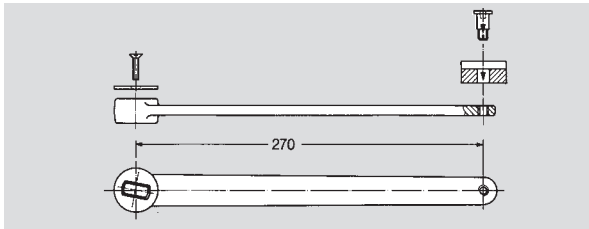
Art. No. 7432
Stainless steel
Order No. 45090030

Cover caps

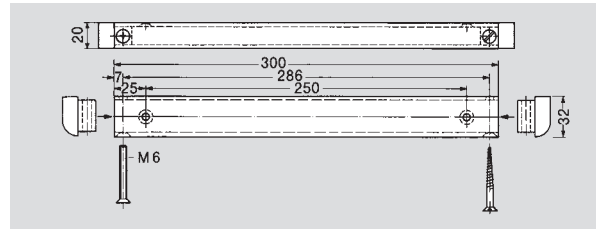
see pages 4 and 5



For butt hung doors



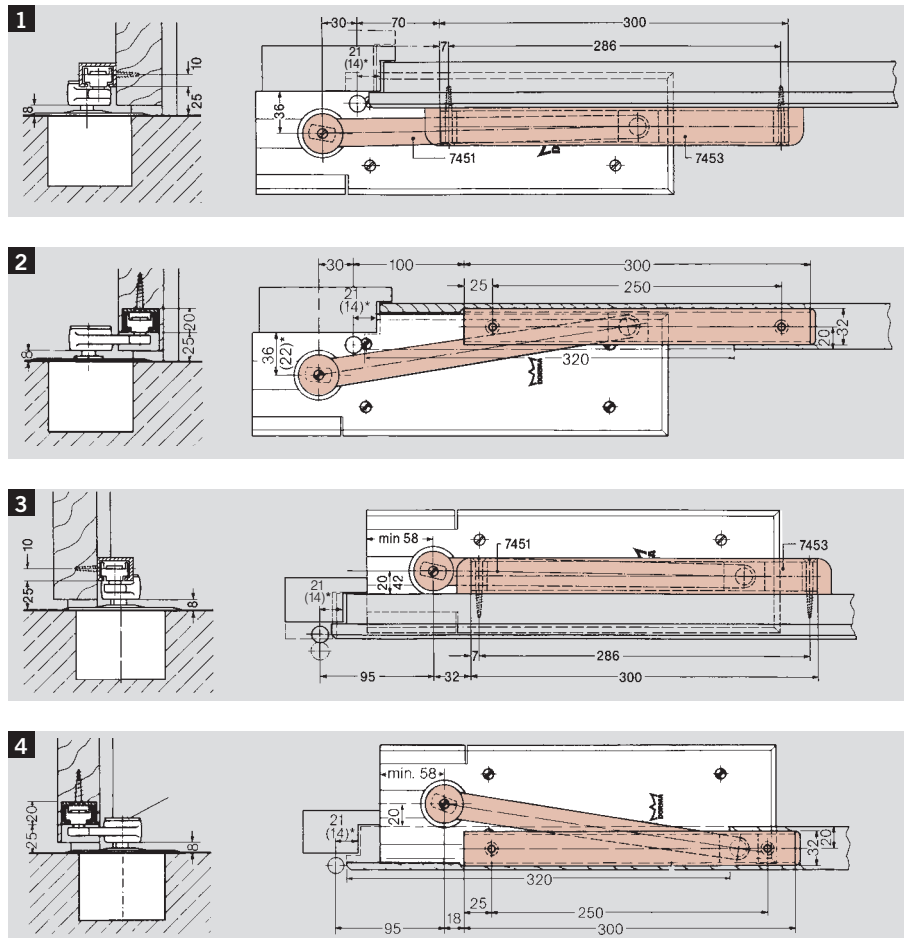
Swing lever Art. No. 7451 N
Drop forged steel, including top washer 7432.
Order No. 45090070



Guide housing Art. No. 7453 N
Aluminium, anodised, silver (EV 1, Euras C-0).
Order No. 45090053

Example installations

() * = Offset for non-rebated doors



Max. opening angle, backcheck activation angle and hold-open angle

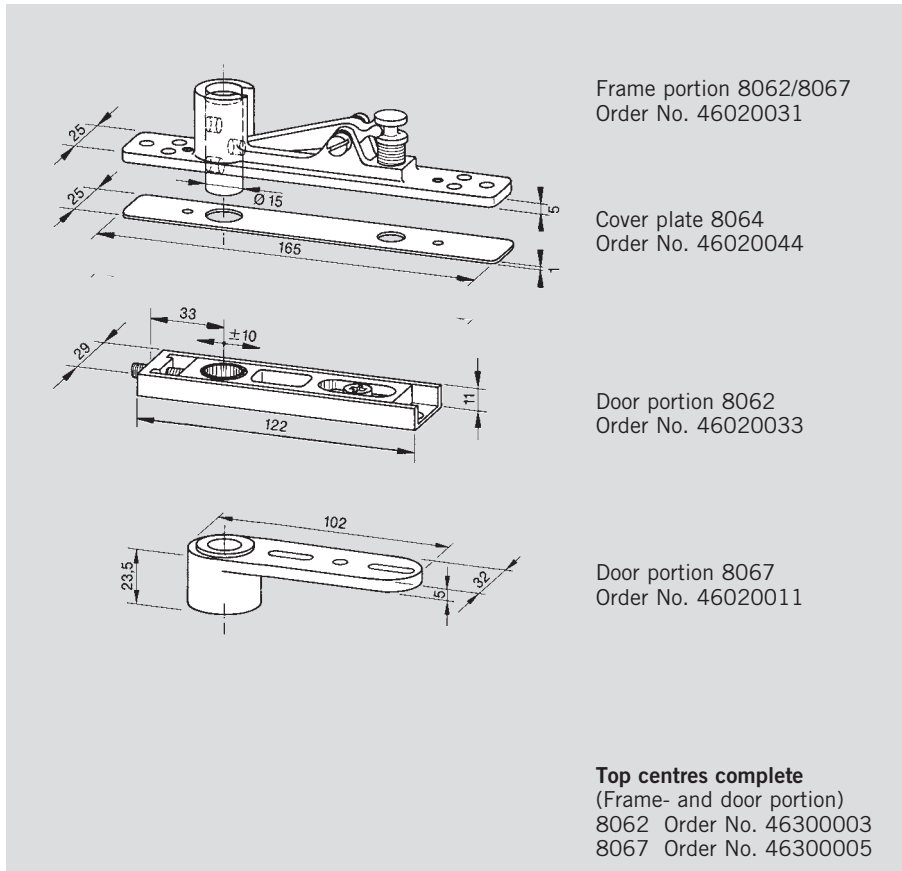
Installation	Door thickness in mm							
	Over-rebated door				Flush closing door			
	39	50	60	70	39	50	60	70
1	100				100			
2	100				100			
3	125	116	108	102	114	105	98	92
4	135	137	140	140	132	135	135	120
1	78				78			
2	85				85			
3	60				60			
4	52				52			
1	105	95			100			
2	90	90			90			
3	105	83	85	87	90	86	90	92
	120	102	105	107	112	108	111	115
4	105	73	75	77	79	76	78	80
	120	90	93	95	98	95	100	102

¹⁾ Set door stop at maximum door opening. Owing to the differing pivot points of the floor spring and hinges, the backcheck is activated earlier, i.e. at an opening angle less than 85°. This type of installation reduces the floor spring's power. To minimise this effect, make sure that the door is correctly hung and free-running on its hinges. Detailed installation drawing available on request.

For steel, aluminium and timber doors

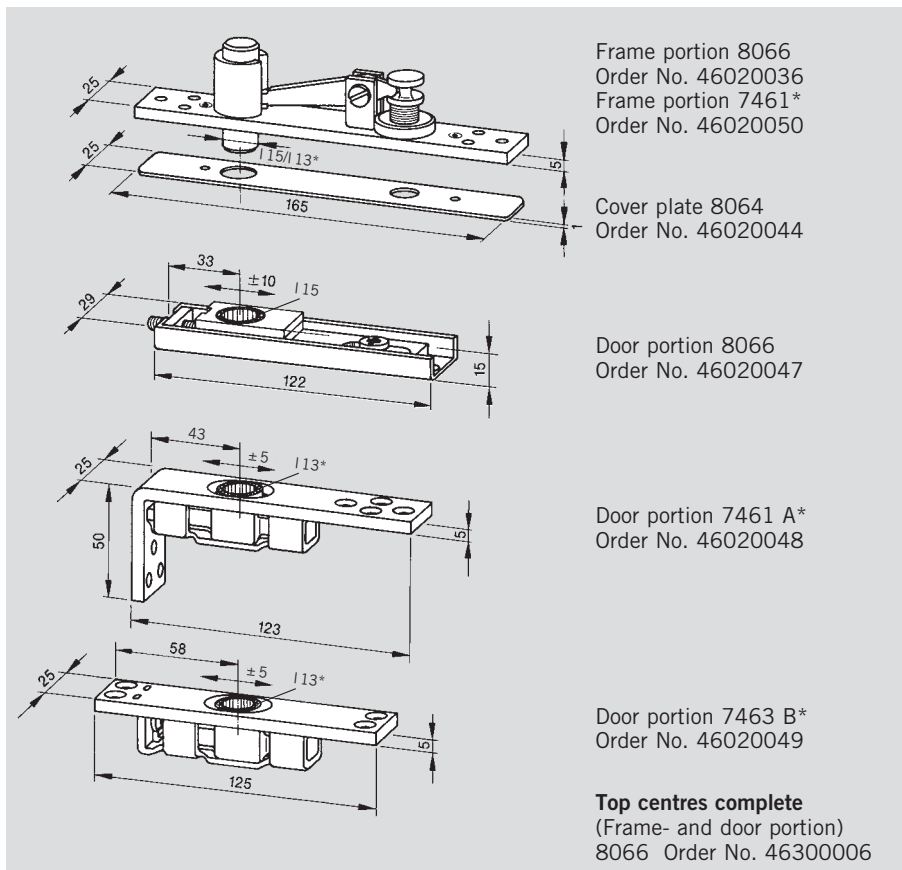
Adjustable top centres (die cast aluminium)

comprising an frame portion with adjustable pin for deep profiles up to max. 20 mm, and door portion with needle bearing (8067 with plastics bearing). For deeper profiles, the top centre assembly can be supplied with pins extended by 10 mm.



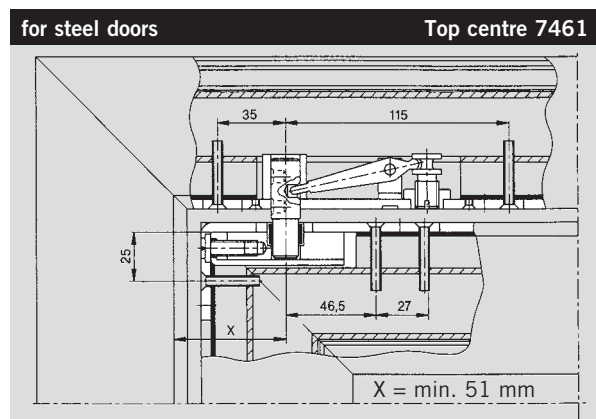
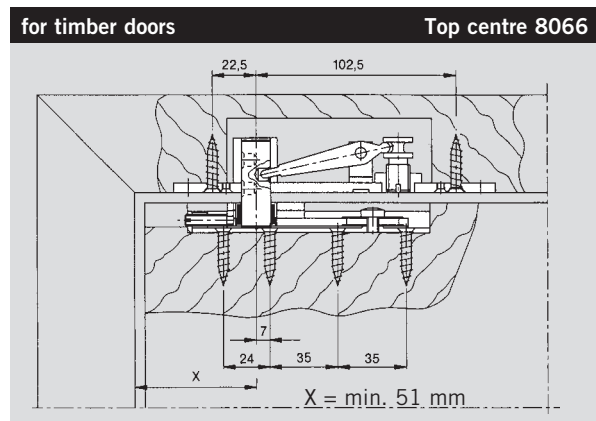
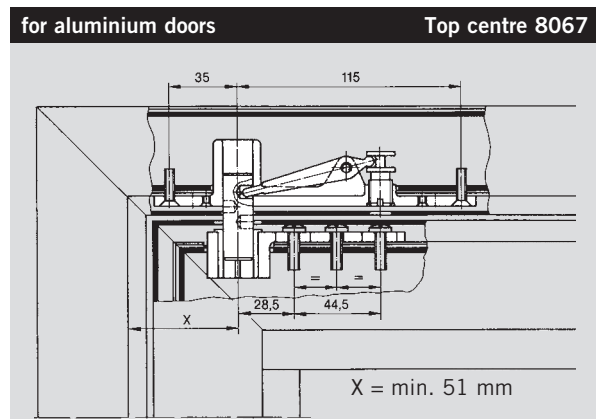
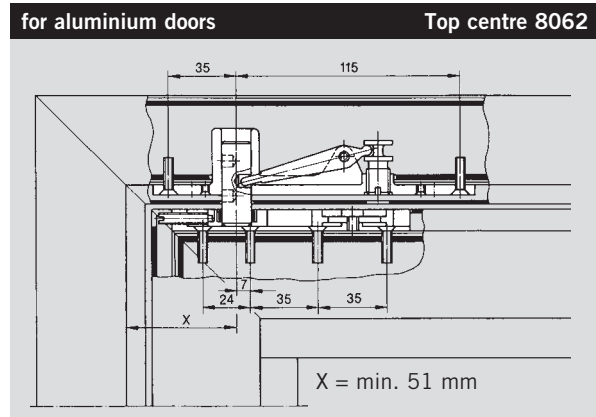
Adjustable top centres (steel)

comprising an frame portion with adjustable pin for deep profiles up to max. 16 mm, and door portion with needle bearing. For deeper profiles, the top centre assembly can be supplied with pins extended by 10 mm.

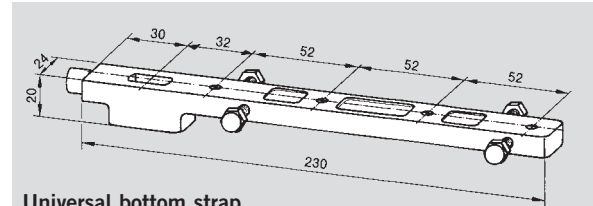


* For door portions 7461 A and 7463 B, use frame portion 7461 with 13 mm dia. pin.

Typical installations



Bottom straps

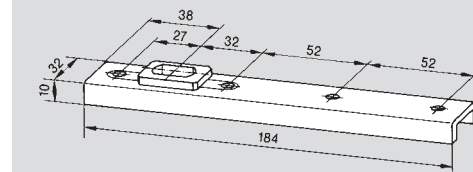


Universal bottom strap

Art. No. 7422

Drop forged steel, zinc-plated; adjustable to various frame profiles.

Order No. 46010002

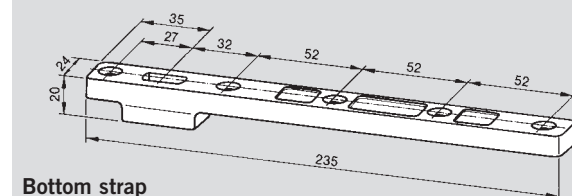


Bottom strap

Art. No. 8021

Zinc-plated steel; for door weights up to 100 kg.

Order No. 45010410

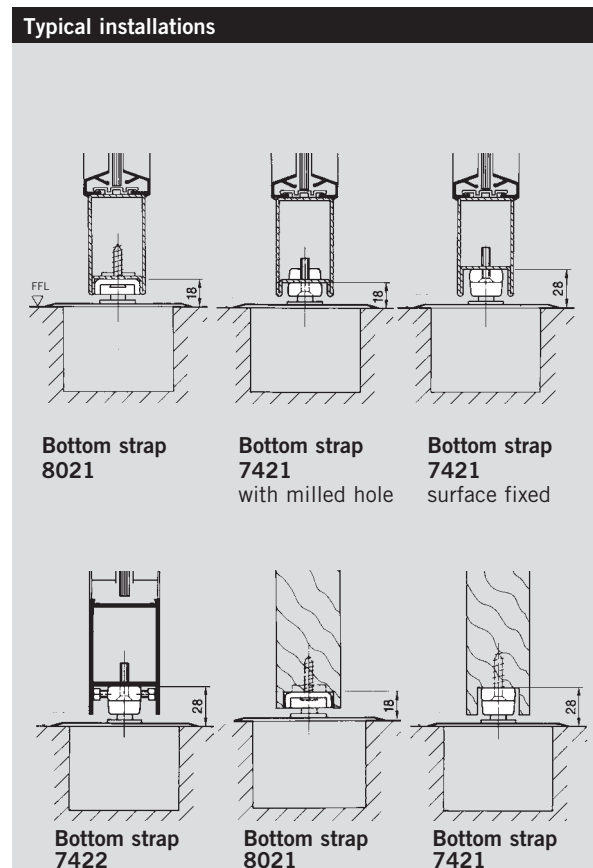


Bottom strap

Art. No. 7421

Drop forged steel, zinc-plated for door weights up to 300 kg.

Order No. 46010001



Pivot bearings

Floor pivot bearing

Floor pivot bearing

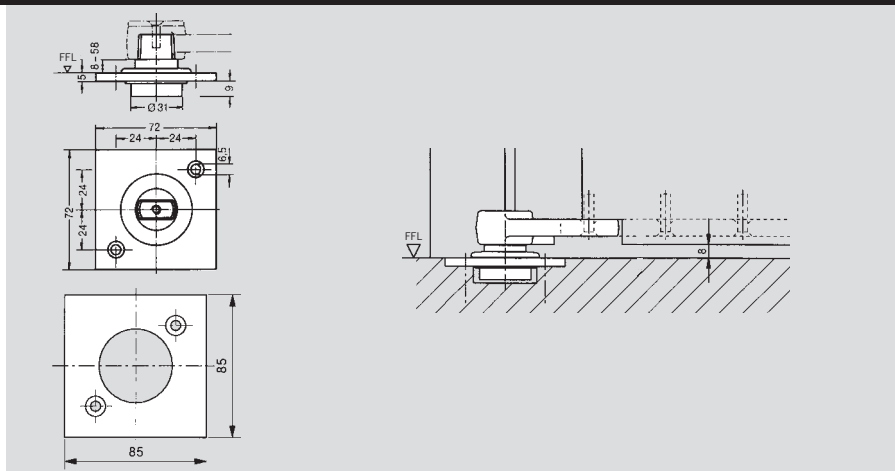
Art. No. 7471 K
with thrust roller bearing,
load capacity max. 200 kg.
Order No. 45070001

Also available to special
order with extended spindles
in increments of 5 mm up
to max. 50 mm.

Art. No. 7471 AX
with angular contact roller
bearing, load capacity
max. 300 kg.

Order No. 45070002

Cover plate 7471 K/AX



Floor pivot bearing

Floor pivot bearing

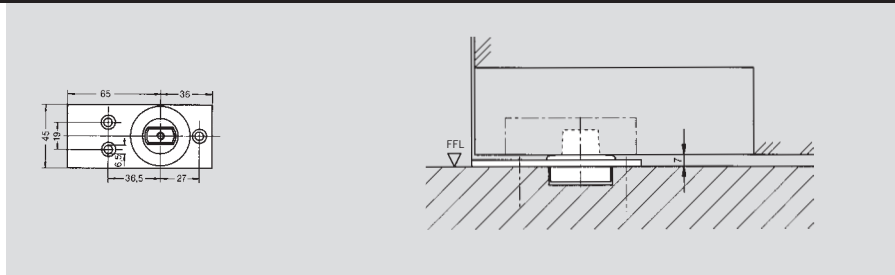
Art. No. 7475 AX
with angular contact roller
bearing, load capacity
max. 300 kg.

Order No. 45070003

Also available in stainless steel.

Art. No. 8560 GE

Order No. 65540059

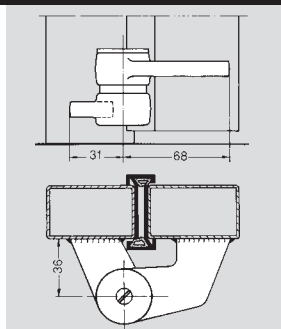


Weld-on hinge

Weld-on hinge

Art. No. 7472 K
with thrust roller bearing,
load capacity max. 200 kg,
and door strap 7431
(see page 6) non-handed,
bearing can be inserted from
either side.

Order No. 45070011

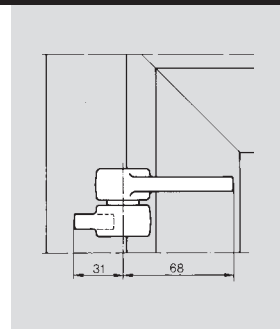


Weld-on hinge

Weld-on hinge

Art. No. 7472 M
Used as intermediate pivot
and upper hinge; with
eccentric pin and bush for
adjustment after hanging the
door; non-handed
bearing can be inserted from
either side.

Order No. 45900008

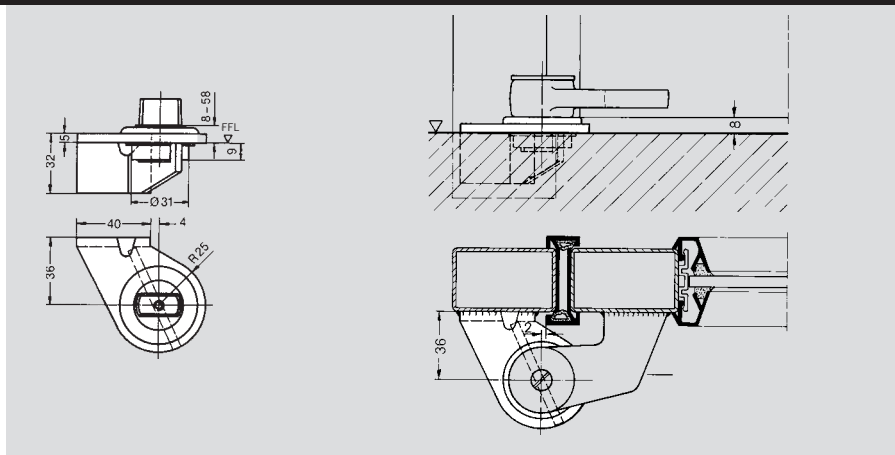


Weld-on pivot bearing

Weld-on pivot bearing

Art. No. 7474 K
with thrust roller bearing, load
capacity max. 200 kg, and
welded-on reinforcing plate.
LH (ISO 6) door:
Order No. 45075007
RH (ISO 5) door:
Order No. 45071007
AX model available on request
(300 kg capacity)

Also available to special
order with extended spindles
in increments of 5 mm up
to max. 50 mm.



Screw-on pivot bearing

Screw-on pivot bearing

Art. No. 7473 K
with thrust roller bearing,
load capacity max. 200 kg.
Suitable for timber, steel
and aluminium doors.

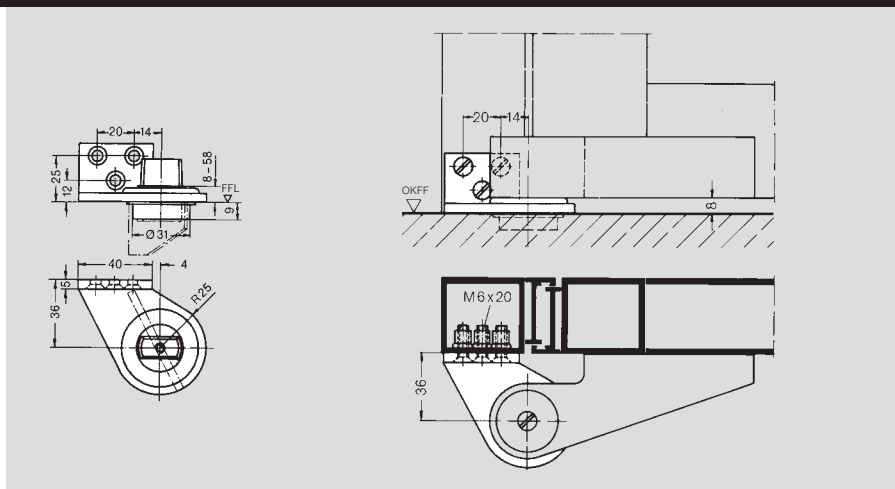
LH (ISO 6) door:

Order No. 45075005

RH (ISO 5) door:

Order No. 45071005

Also available to special
order with extended spindles
in increments of 5 mm up
to max. 50 mm.

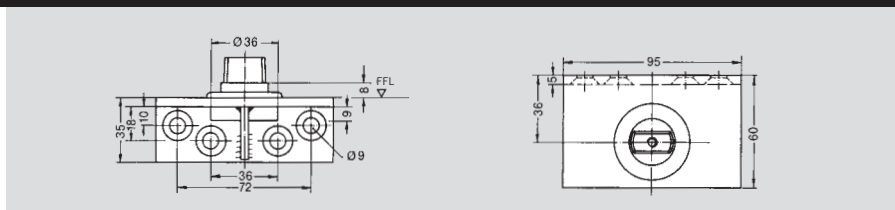


Screw-on pivot bearing

Screw-on pivot bearing

Art. No. 7476 AX
with angular-contact roller
bearing, load capacity
max. 300 kg.

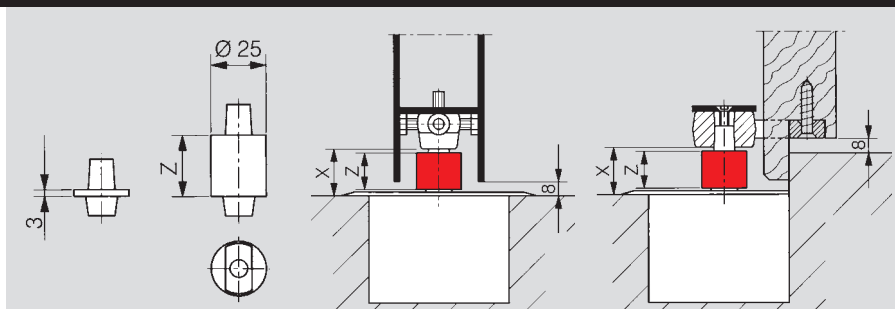
Order No. 45070012



Spindle inserts

Spindle inserts, zinc-plated, for DORMA BTS floor springs

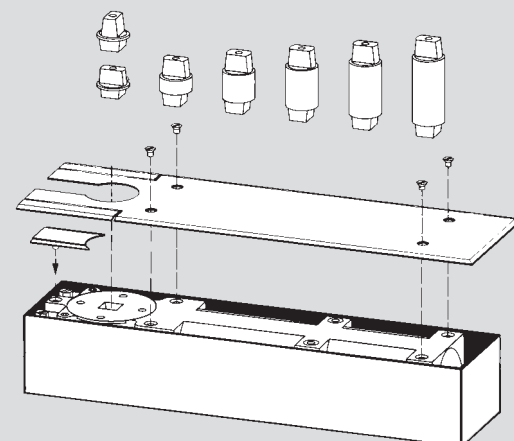
Length in mm	Order No.
Standard	45200401
+ 5	45200402
+ 7.5	45200403
+ 10	45200404
+ 12.5	45200419
+ 15	45200405
+ 20	45200406
+ 25	45200407
+ 28	45200414
+ 30	45200408
+ 35	45200409
+ 40	45200410
+ 45	45200411
+ 50	45200412



Calculating the necessary length of spindle extension:

Extension = X – Floor clearance (normally 8 mm)

Collar height Z of the extended spindle inserts = Spindle extension length + 3 mm
(collar height of the standard spindle insert)



NOTE: Closer and bottom
strap must be installed
per fixing instructions for
door clearances shown
to be valid. Closers with
extended spindle inserts
are used with thresholds,
carpeted floors or in cases
where more clearance
between door and floor
is required. Surface
finish: Zinc plated.

Sealing compound

DORMA sealing compound

2300

0.5 kg

Order No. 45090059

Cement boxes

for floor springs	Order No.
DORMA BTS 80	45090056
DORMA BTS 75	45090057
DORMA BTS 84	81000001



Door Control



Automatic



Glass fittings and Accessories



Security Time and Access (STA)



Movable Walls

Door Control Division worldwide

Central Europe

DORMA GmbH + Co. KG
DORMA Platz 1
D-58256 Ennepetal
Phone +49 2333 793-0
Fax +49 2333 793-495

Australasia

DORMA Door Controls Pty. Ltd.
52, Abbott Road
Hallam/Victoria 3803
Australia
Phone +61 3 8795 0666
Fax +61 3 8795 0280

China/Hong Kong

DORMA Door Controls
(Suzhou) Co. Ltd.
No. 9, Hong Feng Road
Suzhou Singapore Industrial Park
Suzhou, 215021
P.R. of China
Phone +86 512 67612481
Fax +86 512 67614582

DORMA Door Controls Pte. Ltd.

Room 701, Technology Plaza
651 King's Road
North Point
Hong Kong
Phone +852 25034632
Fax +852 28875370

Emerging Markets

DORMA GmbH + Co. KG
DORMA Platz 1
D-58256 Ennepetal
Phone +49 2333 793-0
Fax +49 2333 793-495

DORMA Door Controls (Pty.) Ltd.

Kings Court
4A Mineral Crescent
ZA-2000 Crown/Gauteng
South Africa
Phone +27 11 8300280
Fax +27 11 8300291

Far East

DORMA Far East Pte. Ltd.
No. 31 Gul Lane
Singapore 629425
Phone +65 6268 7633
Fax +65 6265 7995

France

DORMA France S.A.S.
Zone Europarc
Immeuble Mega 42
42, Rue Eugène Dupuis
F-94046 Créteil Cedex
Phone +33 1 41942400
Fax +33 1 41942401

Gulf

DORMA Gulf Door Controls FZE
Jebel Ali Free Zone South
Plot No. S 20135
Road No. SW 301 G
P.O. Box 17268
Dubai – United Arab Emirates
Phone +971 4 8020400
Fax +971 4 8869100/8869101

North America

DORMA Architectural Hardware
DORMA Drive, Drawer AC
Reamstown, PA 17567-0411
Phone +1 800 5238483
Fax +1 800 2749724

Scanbalt

DORMA Danmark A/S
Sindalvej 6–8
DK-2610 Rødovre
Phone +45 44 543000
Fax +45 44 543001

South America

DORMA Sistemas de Controles
para Portas Ltda.
Av. Piracema, 1400
Centro Empresarial Tambore
CEP 06400-933 Barueri/
São Paulo, Brasil
Phone +55 11 46899280
Fax +55 11 46899215

South-East Europe

DORMA AUSTRIA GmbH
Pebering Strass 22
A-5301 Eugendorf
Phone +43 6225 284880
Fax +43 6225 28491

South Europe

DORMA Italiana S.r.l.
Via. Canova 44/46
I-20035 Lissone (MI)
Phone +39 039 244031
Fax +39 039 24403310

DORMA Ibérica, S.A.

Camino San Martin de la Vega, 4
E-28500 Arganda del Rey
(Madrid)
Phone +34 91 8757850
Fax +34 91 8757881

UK/Ireland

DORMA UK Ltd.
Wilbury Way
Hitchin
GB-Hertfordshire SG4 0AB
Great Britain
Phone +44 1462 477600
Fax +44 1462 477601