



CERTIFICATE OF APPROVAL

No CF 297

This is to certify that, in accordance with
TS00 General Requirements for Certification of Fire Protection Products
The undermentioned products of

HODGSON SEALANTS (HOLDINGS) LIMITED

Belprin Road, Beverley, East Yorkshire, HU17 0LN
Tel: 01482 868321 Fax: 01482 870729
sales@hodgsonsealants.com

Have been assessed against the requirements of the Technical Schedule(s)
denoted below and are approved for use subject to the conditions
appended hereto:

CERTIFIED PRODUCT

Firestrip 30
Firestrip 30FD
Firestrip 60

TECHNICAL SCHEDULE

TS25 Fire Resistant Glass,
Glazing Systems and
Materials

Signed and sealed for and on behalf of CERTIFIRE

Sir Ken Knight
Chairman - Management Council
Page 1 of 15

Issued: 27th August 2002
Reissued: 5th February 2014
Valid to: 4th February 2019



CERTIFICATE No CF 297 HODGSON SEALANTS (HOLDINGS) LIMITED

FIRESTRIP 30, FIRESTRIP 30FD & FIRESTRIP 60 GLAZING SYSTEMS

This Certificate of Approval relates to the fire resistance of various Firestrip glazing methods when used in timber screens and timber door leaves, for a period of 30 or 60 minutes fire resistance, as defined in BS 476: Part 22: 1987 subject to the undermentioned conditions.

This certification is designed to demonstrate compliance of the product or system specifically with Approved Document B (England and Wales), Section D of the Technical Standards (Scotland), Technical Booklet E (N. Ireland). If compliance is required to other regulatory or guidance documents there may be additional considerations or conflict to be taken into account.'

| Glazing Seal Specification | Glass Specification | Application | Fire Resistance Performance (mins) | | Page No. |
|----------------------------|---|-----------------|------------------------------------|-----------------------------|----------|
| | | | Integrity | Insulation | |
| Firestrip 30 | Pyroshield 2 / Pyrodur Plus / Pyran S / Firelite / Pyroguard C & W | Timber doorsets | 30 | 0 | 4 |
| Firestrip 30 | Pyranova 11 | Timber doorsets | 30 | 30 | 5 |
| Firestrip 30 | Pyrostop 15/18 | Timber doorsets | 30 | 30 | 6 |
| Firestrip 30 | Pyroshield 2 / Pyran S / Pyrodur Plus / Firelite / Pyroguard C & W / Pyrobelite / Pyrostop / Pyrobel / Pyrodur / Contraflam | Timber screens | 30 | 0 – 30 (depending on glass) | 7 |
| Firestrip 30 | Pyran S | Timber screens | 30 | 0 | 8 |
| Firestrip 30 | Pyroshield 2 | Timber screens | 30 | 0 | 9 |
| Firestrip 30 | Pyrostop 15/18 | Timber screens | 30 | 30 | 10 |
| Firestrip 30FD | Pyroshield 2 / Pyran S / Pyroguard C & W / Firelite | Timber screens | 30 | 0 | 11 |
| Firestrip 60 | Pyrodur 10 | Timber doorsets | 60 | 0 | 12 |
| Firestrip 60 | Pyrostop 23 | Timber doorsets | 60 | 60 | 13 |
| Firestrip 60 | Pyrodur 10 | Timber screens | 60 | 0 | 14 |
| Firestrip 60 | Pyrostop 23 | Timber screens | 60 | 60 | 15 |

This product is approved on the basis of:

- i) Initial type testing
- ii) A design appraisal against TS25
- iii) Certification of quality management system to ISO 9001: 2008.
- iv) Inspection and surveillance of factory production control

This Certificate of Approval must be read in conjunction with CERTIFIRE Technical Schedule TS25, Fire Resistant Glass, Glazing Systems and Materials.

Page 2 of 15 Signed



Issued: 22nd August 2002
Reissued: 5th February 2014
Valid to: 4th February 2019

CERTIFICATE No CF 297
HODGSON SEALANTS (HOLDINGS) LIMITED

FIRESTRIP 30, FIRESTRIP 30FD & FIRESTRIP 60 GLAZING SYSTEMS

General Requirements

Where the system and glass is installed in a timber screen, the orientation of the screen shall be no more than $\pm 10^\circ$ from the vertical.

There is no restriction to the direction of exposure for the glazing methods i.e. the systems are symmetrical.

Any number of panes may be included in the screens/door leaves covered below providing the framing system/door leaf is capable of supporting this principle.

Production

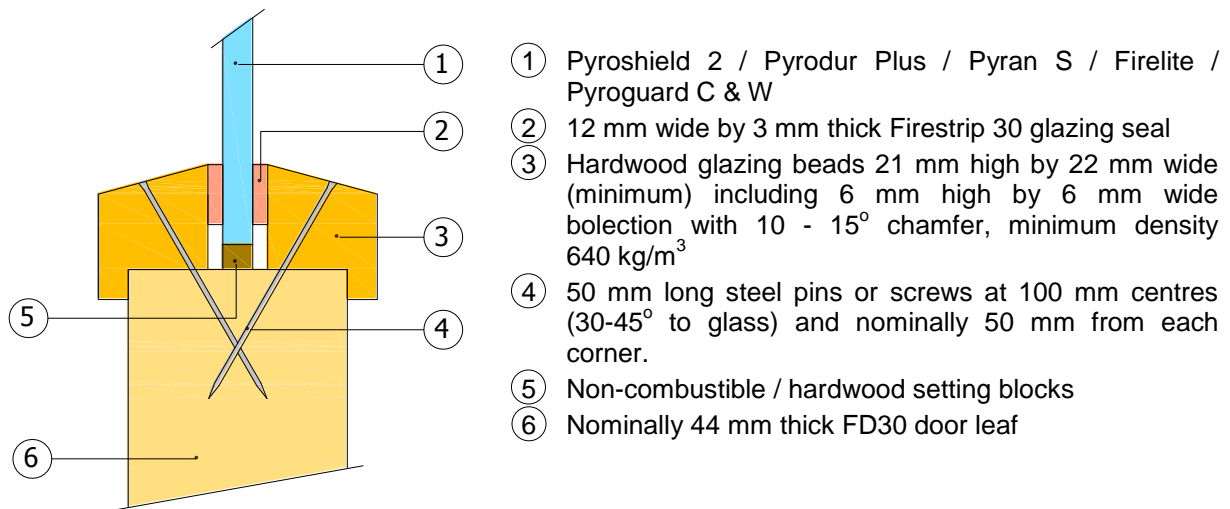
This approval relates to on going production. Product and/or its immediate packaging is identified with the manufacturer's name, the product name or number, the CERTIFIRE name or name and mark, together with the CERTIFIRE certificate number and application when appropriate.

CERTIFICATE No CF 297

HODGSON SEALANTS (HOLDINGS) LIMITED

FIRESTRIP 30 GLAZING SYSTEM

Firestrip 30 for use in timber doors for periods of 30 minutes fire resistance (integrity)



The doorset shall be CERTIFIRE approved or have test evidence for the inclusion of apertures of the proposed dimensions.

This Certificate of Approval relates to the sizes of Pyroshield 2 / Pyrodur Plus / Pyran S / Firelite / Pyroguard C & W glass shown in Table 1 below, when used in conjunction with the above system.

| Glass | Maximum Glass Height | Maximum Glass Width | Maximum Glass Area |
|-----------------|-----------------------------|------------------------------|---------------------|
| Pyroshield 2 | 875 mm (at 651 mm wide) | 758 mm (at 752 mm high) | 0.57 m ² |
| Pyran S | 875 mm (at 651 mm wide) | 758 mm (at 752 mm high) | 0.57 m ² |
| Pyroguard C & W | 875 mm (at 651 mm wide) | 758 mm (at 752 mm high) | 0.57 m ² |
| Firelite | 875 mm (at 651 mm wide) | 758 mm (at 752 mm high) | 0.57 m ² |
| Pyrodur Plus | 2358 mm (at 950 mm wide) | 1093 mm (at 2050 mm high) | 2.24 m ² |

The aspect ratio of the glass may be unlimited within these glass dimensions

Table 1. Maximum Permitted Glass Dimensions

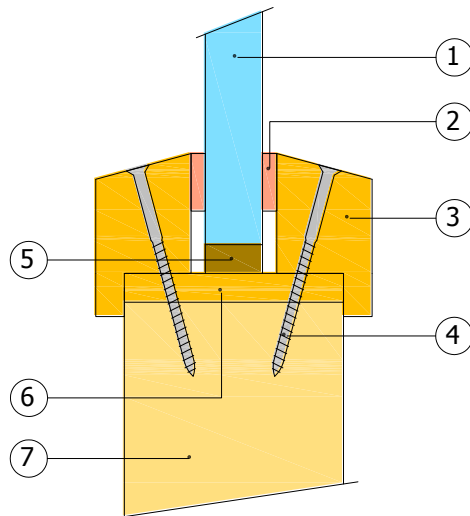


CERTIFICATE No CF 297

HODGSON SEALANTS (HOLDINGS) LIMITED

FIRESTRIP 30 GLAZING SYSTEM

Firestrip 30 for use in timber doors for periods of 30 minutes fire resistance (integrity and insulation)



- ① 11 mm thick Pyranova S2.0
- ② 12 mm wide by 3 mm thick Firestrip 30 glazing seal
- ③ Hardwood glazing beads 25 mm high by 20 mm wide (minimum) including 9 mm high by 6 mm wide bolection, either square or up to 15° chamfer, minimum density 640 kg/m³
- ④ 45 mm long steel screws at 150 mm centres (30-45° to glass) and nominally 50 mm from each corner.
- ⑤ Non-combustible / hardwood setting blocks
- ⑥ Hardwood liner 6 mm thick
- ⑦ Nominally 44 mm thick FD30 door leaf

The doorset shall be CERTIFIRE approved or have test evidence for the inclusion of apertures of the proposed dimensions.

This Certificate of Approval relates to the sizes of Pyranova glass shown in Table 2 below, when used in conjunction with the above system.

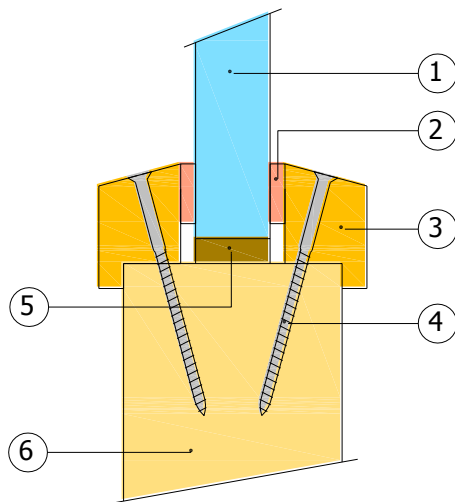
| Glass | Maximum Glass Height | Maximum Glass Width | Maximum Glass Area |
|--|-----------------------------|----------------------------|---------------------|
| 11 mm Pyranova | 1642 mm (at 493 mm wide) | 900 mm (at 900 mm high) | 0.81 m ² |
| The aspect ratio of the glass may be unlimited within these glass dimensions | | | |

Table 2. Maximum Permitted Glass Dimensions

CERTIFICATE No CF 297 HODGSON SEALANTS (HOLDINGS) LIMITED

FIRESTRIP 30 GLAZING SYSTEM

Firestrip 30 for use in timber doors for periods of 30 minutes fire resistance (integrity and insulation)



- ① Pyrostop 15/18
- ② 12 mm wide by 3 mm thick Firestrip 30 glazing seal
- ③ Hardwood glazing beads 20 mm high by 16.5 mm wide (minimum) including 5 mm high by 5 mm wide bolection, either square or up to 15° chamfer, minimum density 640 kg/m³
- ④ 60 mm long steel screws at 150 mm centres (30-45° to glass) and nominally 50 mm from each corner.
- ⑤ Non-combustible / hardwood setting blocks
- ⑥ Nominally 44 mm thick FD30 door leaf

The doorset shall be CERTIFIRE approved or have test evidence for the inclusion of apertures of the proposed dimensions.

This Certificate of Approval relates to the sizes of Pyrostop glass shown in Table 3 below, when used in conjunction with the above system. The aspect ratio of the glass may be unlimited within these aperture dimensions.

| Glass | Maximum Glass Height | Maximum Glass Width | Maximum Glass Area |
|--|------------------------------|------------------------------|---------------------|
| Pyrostop 15/18 | 2250 mm (at 1000 mm wide) | 1000 mm (at 2250 mm high) | 2.25 m ² |
| The aspect ratio of the glass may be unlimited within these glass dimensions | | | |

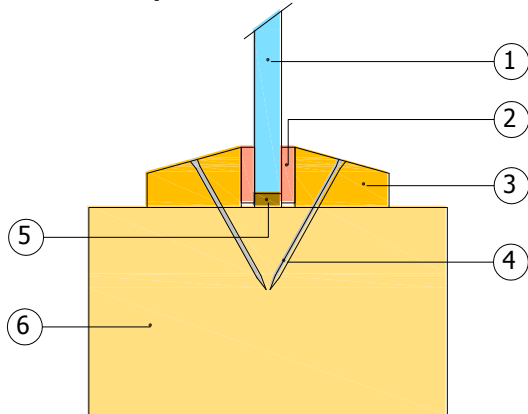
Table 3. Maximum Permitted Glass Dimensions

CERTIFICATE No CF 297

HODGSON SEALANTS (HOLDINGS) LIMITED

FIRESTRIP 30 GLAZING SYSTEM

Firestrip 30 in timber framed screens for periods of 30 minutes fire resistance



- ① Pyroshield 2 / Pyran S / Firelite / Pyroguard C & W / Pyrobelite / Pyrostop / Pyrobel / Pyrodur / Contraflam
- ② 12 mm by 3 mm 'Firestrip 30' glazing seal
- ③ Hardwood glazing beads 13 mm high by 21 mm wide (minimum) with 10-20° chamfer, minimum density 650 kg/m³
- ④ 32 mm long steel pins or screws at 150 mm centres (30° to glass) and nominally 50 mm from each corner.
- ⑤ Non-combustible / hardwood setting blocks
- ⑥ 80 mm by 45 mm (minimum) softwood or hardwood frame, minimum density 560 kg/m³

This Certificate of Approval relates to the sizes of Pyroshield 2 / Pyran S / Firelite / Pyroguard C & W / Pyrobelite / Pyrostop / Pyrobel / Pyrodur / Pyrodur Plus / Contraflam glass shown in Table 4 below, when used in conjunction with above system.

| Glass | Maximum Glass Height | Maximum Glass Width | Maximum Glass Area |
|-----------------|------------------------------|------------------------------|--------------------|
| Pyroshield 2 | 2632 (at 1367 mm wide) | 1900 mm (at 1900 mm high) | 3.6 m ² |
| Pyran S | 2632 (at 1367 mm wide) | 1900 mm (at 1900 mm high) | 3.6 m ² |
| Firelite | 2632 (at 1367 mm wide) | 1900 mm (at 1900 mm high) | 3.6 m ² |
| Pyroguard C & W | 2000 mm (at 1200 mm wide) | 1549 mm (at 1549 mm high) | 2.4 m ² |
| Pyrobelite | 2000 mm (at 1400 mm wide) | 1673 mm (at 1673 mm high) | 2.8 m ² |
| Pyrostop | 2000 mm (at 1400 mm wide) | 1673 mm (at 1673 mm high) | 2.8 m ² |
| Pyrobel | 2000 mm (at 1400 mm wide) | 1673 mm (at 1673 mm high) | 2.8 m ² |
| Pyrodur | 2000 mm (at 1400 mm wide) | 1673 mm (at 1673 mm high) | 2.8 m ² |
| Pyrodur Plus | 2050 mm (at 1790mm wide) | 2050 mm (at 1790 mm high) | 3.7 m ² |
| Contraflam* | 2000 mm (at 1400 mm wide) | 1673 mm (at 1673 mm high) | 2.8 m ² |

The aspect ratio of the glass may be unlimited within these glass dimensions.

* The frame section width shall be increased to compensate for the glass thickness above 6mm

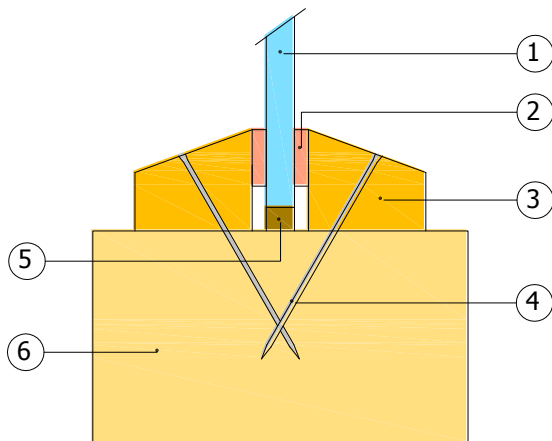
Table 4. Maximum Permitted Glass Dimensions

CERTIFICATE No CF 297

HODGSON SEALANTS (HOLDINGS) LIMITED

FIRESTRIP 30 GLAZING SYSTEM

Firestrip 30 in timber framed screens for periods of 30 minutes fire resistance



- ① Pyran S
- ② 12 mm by 3 mm 'Firestrip 30' glazing seal
- ③ Hardwood glazing beads 21.5 mm high by 25 mm wide (minimum) with 10 - 20° chamfer, minimum density 650 kg/m³
- ④ 50 mm long steel pins or screws at 150 mm centres (30° to glass) and nominally 50 mm from each corner.
- ⑤ Non-combustible / hardwood setting blocks
- ⑥ 80 mm by 45 mm (minimum) softwood or hardwood frame, minimum density 450 kg/m³

This Certificate of Approval relates to the sizes of Pyran S glass shown in Table 5 below, when used in conjunction with above system.

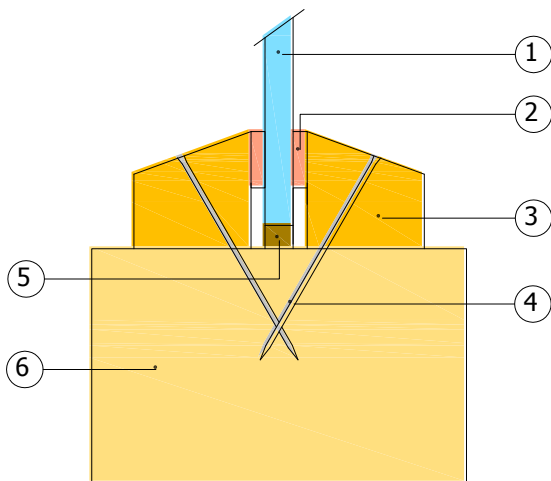
| Glass | Maximum Glass Height | Maximum Glass Width | Maximum Glass Area |
|---|------------------------------|------------------------------|---------------------|
| Pyran S | 3629 mm (at 1750 mm wide) | 2520 mm (at 2520 mm high) | 6.35 m ² |
| The aspect ratio of the glass may be unlimited within these glass dimensions. | | | |

Table 5. Maximum Permitted Glass Dimensions

CERTIFICATE No CF 297 HODGSON SEALANTS (HOLDINGS) LIMITED

FIRESTRIP 30 GLAZING SYSTEM

Firestrip 30 in timber framed screens for periods of 30 minutes fire resistance



- ① Pyroshield 2
- ② 12 mm by 3 mm 'Firestrip 30' glazing seal
- ③ Hardwood glazing beads 13 mm high by 21 mm wide (minimum) with 20° chamfer, minimum density 610 kg/m³
- ④ 32 mm long by 1.5 mm steel pins or screws at 150 mm centres (at maximum 45° to vertical) and nominally 50 mm from each corner
- ⑤ Non-combustible / hardwood setting blocks
- ⑥ 80 mm by 45 mm (minimum) softwood or hardwood frame, minimum density 560 kg/m³ fixed using minimum 100 mm long by 4 mm diameter screws at maximum 450 mm centres

This Certificate of Approval relates to the sizes of Pyroshield 2 glass shown in Table 6 below, when used in conjunction with above system.

| Glass | Maximum Glass Height | Maximum Glass Width | Maximum Glass Area |
|---|------------------------------|------------------------------|--------------------|
| Pyroshield 2 | 2632 mm (at 1367 mm wide) | 2632 mm (at 1367 mm wide) | 3.6 m ² |
| The aspect ratio of the glass may be unlimited within these glass dimensions. | | | |

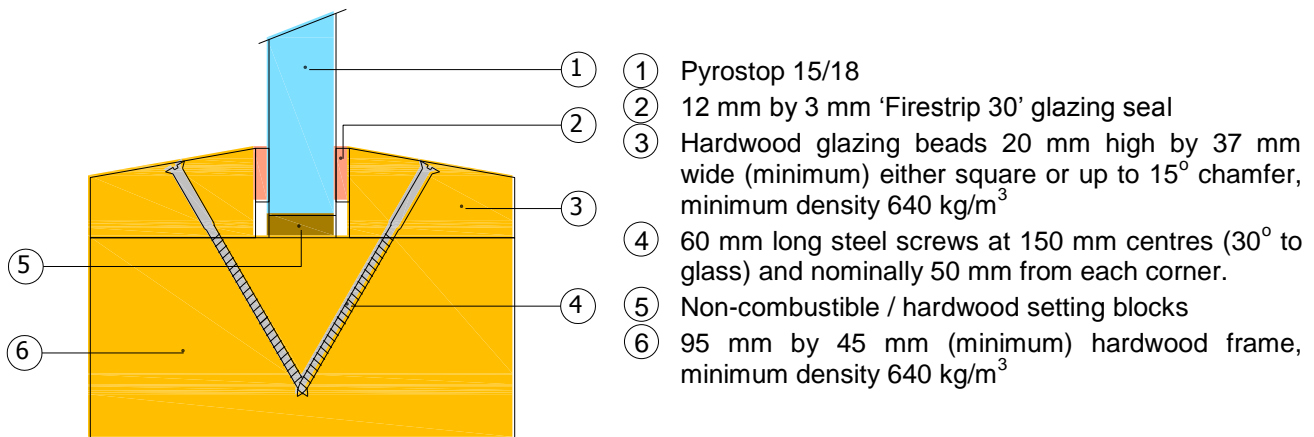
Table 6. Maximum Permitted Glass Dimensions

CERTIFICATE No CF 297

HODGSON SEALANTS (HOLDINGS) LIMITED

FIRESTRIP 30 GLAZING SYSTEM

Firestrip 30 in timber framed screens for periods of 30 minutes fire resistance



This Certificate of Approval relates to the sizes of Pyrostop 15/18 glass shown in Table 7 below, when used in conjunction with above system.

| Glass | Maximum Glass Height | Maximum Glass Width | Maximum Glass Area |
|---|-----------------------------|------------------------------|---------------------|
| Pyrostop 15/18 | 3629 mm (at 1750mm wide) | 2520 mm (at 2520 mm high) | 6.35 m ² |
| The aspect ratio of the glass may be unlimited within these glass dimensions. | | | |

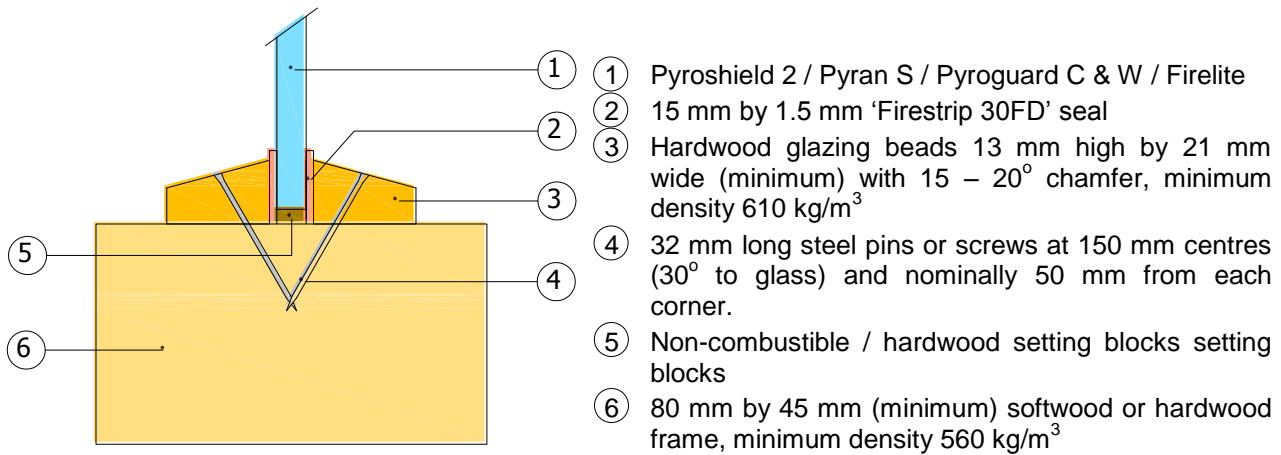
Table 7. Maximum Permitted Glass Dimensions

CERTIFICATE No CF 297

HODGSON SEALANTS (HOLDINGS) LIMITED

FIRESTRIP 30 GLAZING SYSTEM

Firestrip 30FD in timber framed screens for periods of 30 minutes fire resistance



This Certificate of Approval relates to the sizes of Pyroshield 2 / Pyran S / Pyroguard C & W / Firelite glass shown in Table 8 below, when used in conjunction with above system.

| Glass | Maximum Glass Height | Maximum Glass Width | Maximum Glass Area |
|-----------------|----------------------------|----------------------------|---------------------|
| Pyroshield 2 | 875 mm (at 651 mm wide) | 758 mm (at 752 mm high) | 0.57 m ² |
| Pyran S | 875 mm (at 651 mm wide) | 758 mm (at 752 mm high) | 0.57 m ² |
| Pyroguard C & W | 875 mm (at 651 mm wide) | 758 mm (at 752 mm high) | 0.57 m ² |
| Firelite | 875 mm (at 651 mm wide) | 758 mm (at 752 mm high) | 0.57 m ² |

The aspect ratio of the glass may be unlimited within these glass dimensions

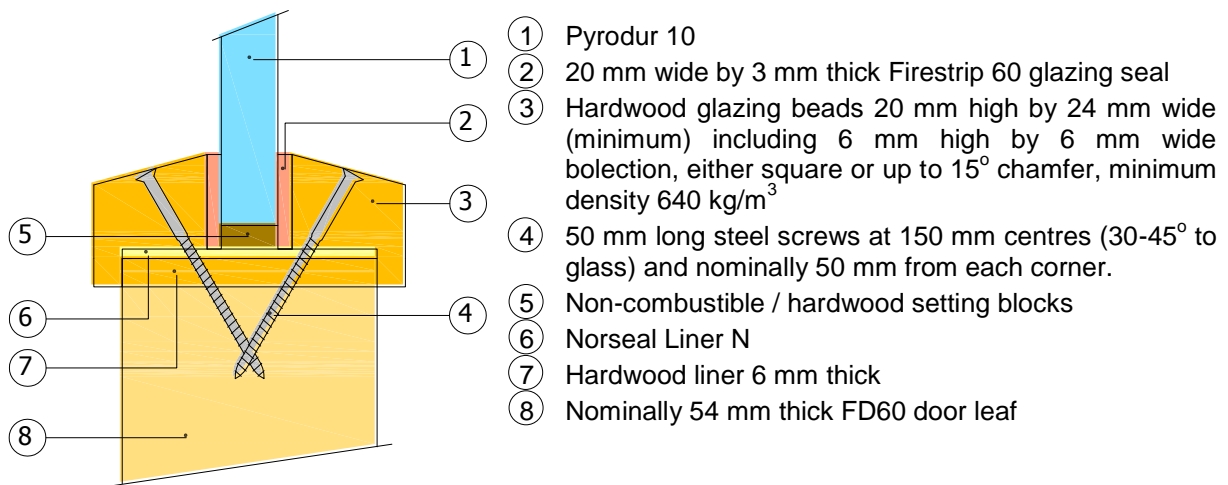
Table 8. Maximum Permitted Glass Dimensions

CERTIFICATE No CF 297

HODGSON SEALANTS (HOLDINGS) LIMITED

FIRESTRIP 60 GLAZING SYSTEM

Firestrip 60 for use in timber doors for periods of 60 minutes fire resistance



The doorset shall be CERTIFIRE approved or have test evidence for the inclusion of apertures of the proposed dimensions.

This Certificate of Approval relates to the sizes of Pyrodur 10 glass shown in Table 9 below, when used in conjunction with the above system. The aspect ratio of the glass may be unlimited within these aperture dimensions.

| Glass | Maximum Glass Height | Maximum Glass Width | Maximum Glass Area |
|--|-----------------------------|-----------------------------|---------------------|
| Pyrodur 10 | 1950 mm (at 800 mm wide) | 867 mm (at 1800 mm high) | 1.56 m ² |
| The aspect ratio of the glass may be unlimited within these glass dimensions | | | |

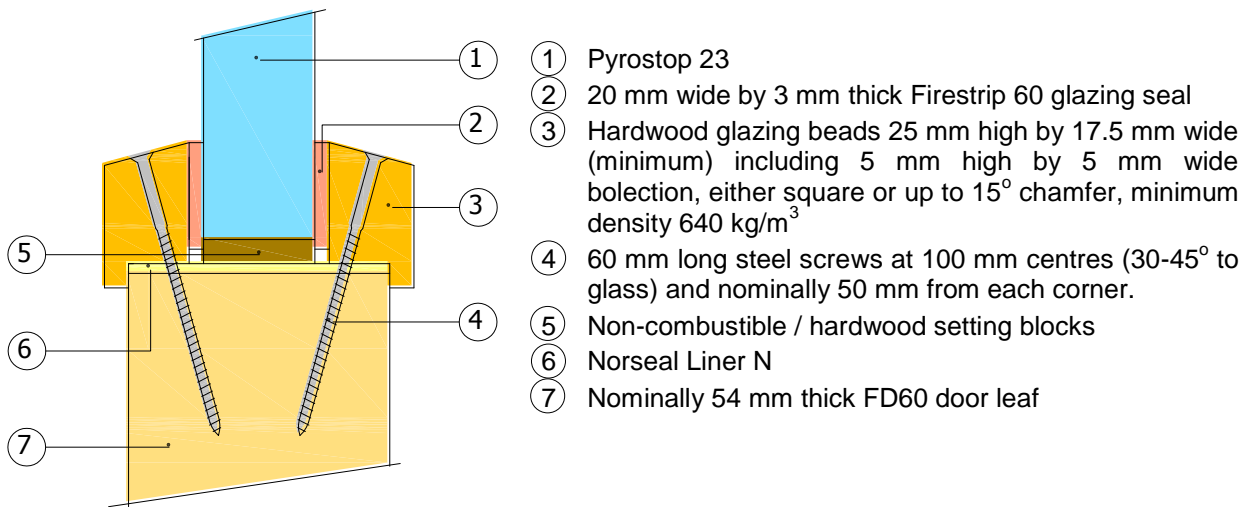
Table 9. Maximum Permitted Glass Dimensions

CERTIFICATE No CF 297

HODGSON SEALANTS (HOLDINGS) LIMITED

FIRESTRIP 60 GLAZING SYSTEM

Firestrip 60 for use in timber doors for periods of 60 minutes fire resistance



The doorset shall be CERTIFIRE approved or have test evidence for the inclusion of apertures of the proposed dimensions.

This Certificate of Approval relates to the sizes of Pyrostop 23 glass shown in Table 10 below, when used in conjunction with the above system.

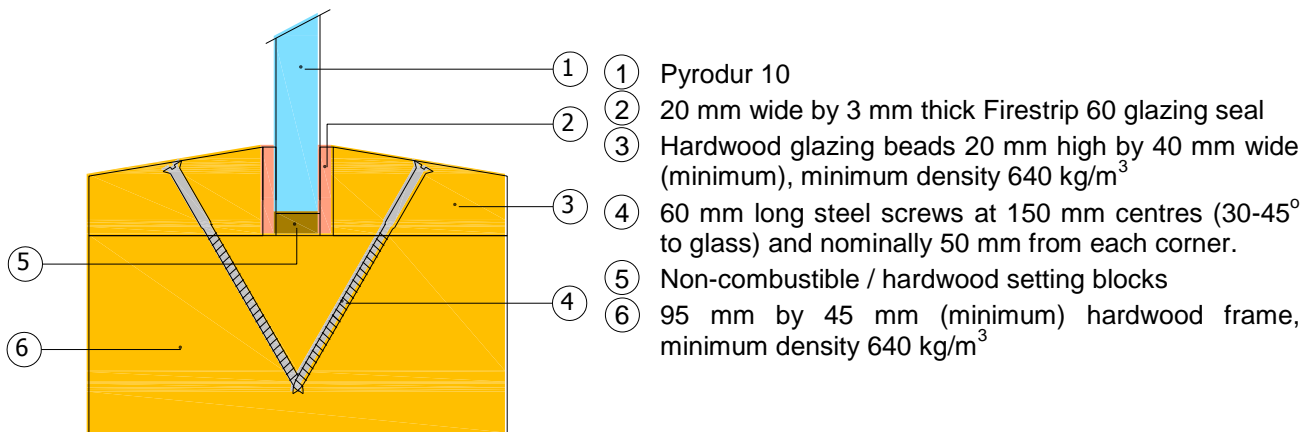
| Glass | Maximum Glass Height | Maximum Glass Width | Maximum Glass Area |
|--|-----------------------------|------------------------------|---------------------|
| Pyrostop 23 | 2250 mm (at 800 mm wide) | 1000 mm (at 1800 mm high) | 1.80 m ² |
| The aspect ratio of the glass may be unlimited within these glass dimensions | | | |

Table 10. Maximum Permitted Glass Dimensions

CERTIFICATE No CF 297 HODGSON SEALANTS (HOLDINGS) LIMITED

FIRESTRIP 60 GLAZING SYSTEM

Firestrip 60 for use in timber screens for periods of 60 minutes fire resistance



This Certificate of Approval relates to the sizes of Pyrodur 10 glass shown in Table 11 below, when used in conjunction with the above system.

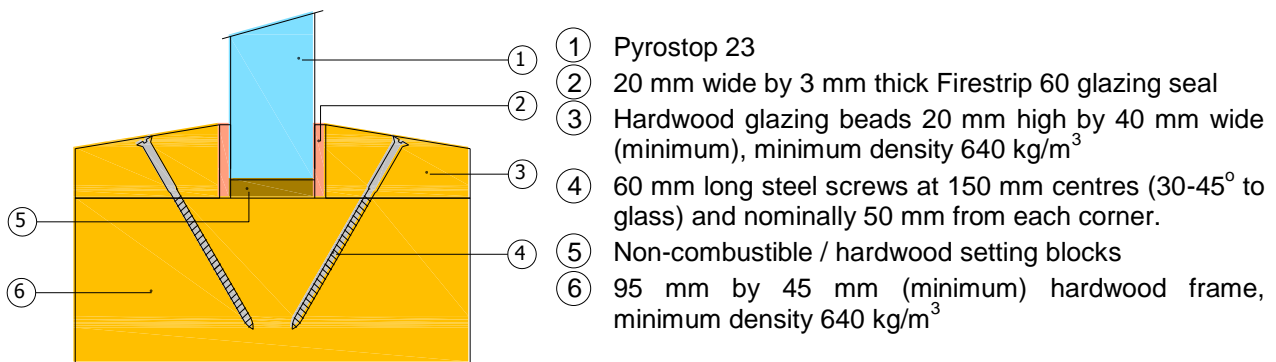
| Glass | Maximum Glass Height | Maximum Glass Width | Maximum Glass Area |
|--|-----------------------------|------------------------------|---------------------|
| Pyrodur 10 | 2200 mm (at 900 mm wide) | 1407 mm (at 1407 mm high) | 1.98 m ² |
| The aspect ratio of the glass may be unlimited within these glass dimensions | | | |

Table 11. Maximum Permitted Glass Dimensions

CERTIFICATE No CF 297 HODGSON SEALANTS (HOLDINGS) LIMITED

FIRESTRIP 60 GLAZING SYSTEM

Firestrip 60 for use in timber screens for periods of 60 minutes fire resistance



This Certificate of Approval relates to the sizes of Pyrostop 23 glass shown in Table 12 below, when used in conjunction with the above system. The aspect ratio of the glass may be unlimited within these aperture dimensions.

| Glass | Maximum Glass Height | Maximum Glass Width | Maximum Glass Area |
|--|-----------------------------|------------------------------|---------------------|
| Pyrostop 23 | 2250 mm (at 800 mm wide) | 1000 mm (at 1800 mm high) | 1.80 m ² |
| The aspect ratio of the glass may be unlimited within these glass dimensions | | | |

Table 12. Maximum Permitted Glass Dimensions