

# Simon

The Simon Vent-A-Matic is a durable and effective range of in-glass ventilators that can solve most ventilation requirements. Available in static and rotary formats, it meets all current gas regulations. Suitable for double and single glazing, the Vent-A-Matic is still the market leader in its field.

# Vent-A-Matic

## Quality Glass Rotary Ventilators

- A complete range of quality glass mounted ventilators
- Patented diffusing rotor system prevents severe draughts
- Models suitable for single or double glazing
- Controllable – with open/close shutters
- External stormguards available on most models
- Aperture reducing ring available (AP AD)



**R.W. Simon Limited** System Works, Hatchmoor Industrial Estate,  
Torrington, Devon EX38 7HP United Kingdom  
Tel: 01805 623721 Fax: 01805 624578 E-mail: [info@rwsimon.co.uk](mailto:info@rwsimon.co.uk)  
**Web: [www.rwsimon.co.uk](http://www.rwsimon.co.uk)**



**Simon**  
**Air Management**  
**Systems**

# Vent-A-Matic

## Quality in-glass rotary ventilators

Controllable with Shutters  
Models 102/106/SXL/C102S/C106S/RXL

### Description

Simon Vent-A-Matic controllable ventilators are available in various model sizes. Each model is equipped with a diffusing rotor which helps to prevent severe draught and improve fresh air distribution within the room. The rotor also continues to operate whilst under its own inertia, even when air pressure on each side has been equalised.

### Application

Simon Vent-A-Matic controllable ventilators provide the ideal solution to the control of condensation in most sizes of room. They can be fitted to 4mm or 6mm single glazing and up to 32mm double glazing without the need to reglaze, and are particularly useful where no opening is available, or where leaving an open window has safety and security implications.

MODEL	APPLICATION
102	toilets boats caravans sheds
106	kitchens bathrooms bedrooms average size rooms
SXL	larger rooms offices hospitals commercial
C102S	As for 102 but with Stormguard as standard
C106S	As for 106 but with stormguard as standard
RXL	Sliding sash windows with narrow clearances between two window frames

**Controls:** Each model is provided with radial shutter control operated by a pull cord.

Controllable Hermetically Sealed and  
Secondary Double Glazing DGS106

### Description

Simon Vent-A-Matic double glazing ventilators are designed to suit hermetically sealed or secondary double glazing controllable ventilation up to 32mm.

MODEL	APPLICATION	UNIT THICKNESS
DGS 106	Hermetically sealed units	12-32mm

### Manufacture & Performance

Injection moulded components made from UV stabilised translucent polystyrene to avoid discolouration. Ultrasonically welded and assembled in cleanroom conditions.

Simon Vent-A-Matic glass mounted rotary ventilators are produced under ISO 9001 Quality Systems.

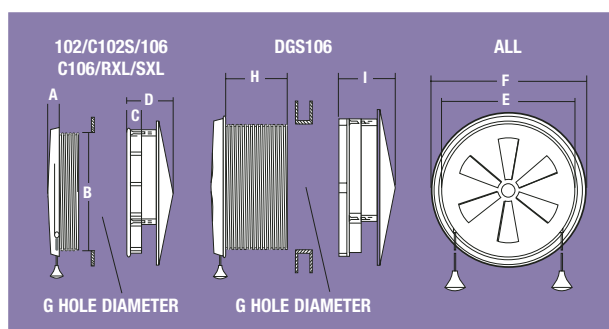
MODEL	DIMENSIONS				
	102/C102S	106/C106S	DGS106	RXL	SXL
Dim	mm	mm	mm	mm	mm
A	18	23	-	23	33
B	116	159	-	159	210
C	15	18	-	18	18
D	55	63	-	63	73
E	128	179	179	179	250
F	153	203	203	203	256
G	121	162	162	162	219
H	-	-	48	-	-
I	-	-	72	-	-

**APERTURE ADAPTERS - Adapters to adapt 180mm up to 200mm dia. holes are available as an extra**

### Performance

Simon Vent-A-Matic air flow performance.

Ventamatic Model	Volume (litres/second)	Equivalent Area (mm <sup>2</sup> ) @ 1pa
102	3.53	4,498
C102S	3.14	3,998
106	4.63	5,897
C106S	5.5	6,997
DGS/106	5.5	6,997
RXL	4.71	5,997
SXL	9.03	11,495



### Sitework

All the above models are designed for simple two part fitting into a glass aperture. For additional security and weather-tightness, if required, a little silicone glazing sealant can be applied to the external retaining ring.

**Important:** Hermetically sealed units must be fitted by the double glazing manufacturer.

Request the fitting of a Vent-A-Matic prior to manufacture and installation of double glazing.

Airflow rates quoted are for when the units are fitted in accordance with manufacturers recommendations. Tested in accordance with BS EN 13141-1:2004

**R.W. Simon Limited** System Works, Hatchmoor Industrial Estate,  
Torrington, Devon EX38 7HP United Kingdom  
Tel: 01805 623721 Fax: 01805 624578 E-mail: info@rwsimon.co.uk



**Simon**