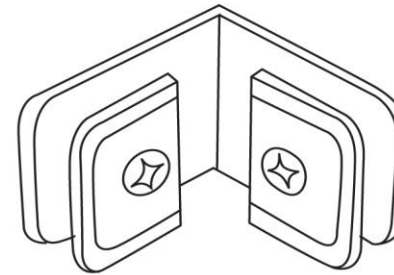
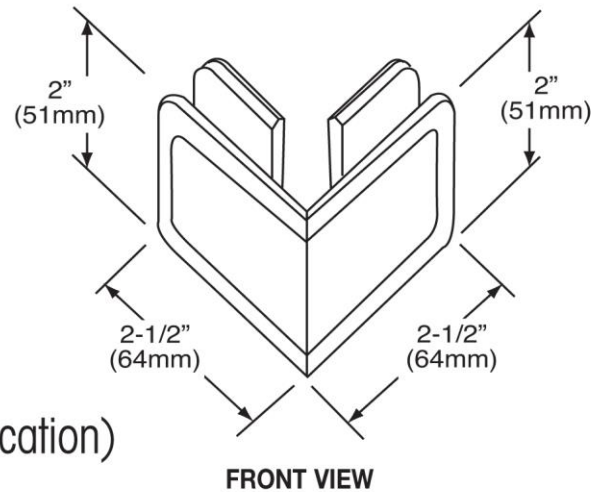


HEAVY DUTY GLASS CLAMPS

90° Glass Clamp
(Glass-to-Glass Application)

CAT. No. **BGC90**



Template Shown on Next Page

Specifications:

Material: Solid brass

Glass Thickness Range: 3/8" (10mm) to 1/2" (12mm)

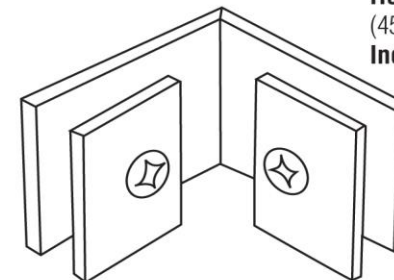
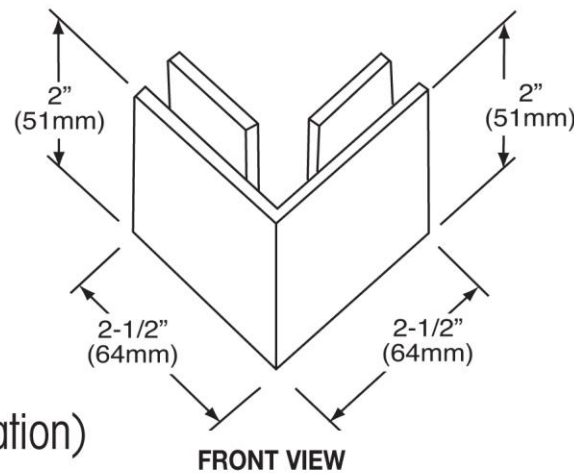
Hole Size Required: 3/4" (19mm) or 7/8" (22mm)
(45° Mitered Glass Option)

Includes: Mounting screws and gaskets

HEAVY DUTY GLASS CLAMPS

90° Glass Clamp
(Glass-to-Glass Application)

CAT. No. **SGC90**



Template Shown on Next Page

Specifications:

Material: Solid brass

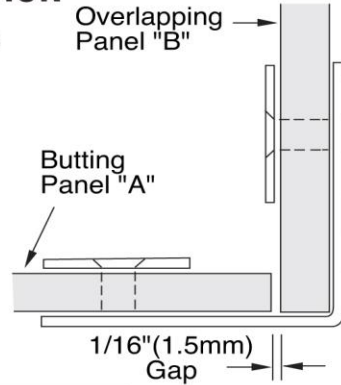
Glass Thickness Range: 3/8" (10mm) to 1/2" (12mm)

Hole Size Required: 3/4" (19mm) or 7/8" (22mm)
(45° Mitered Glass Option)

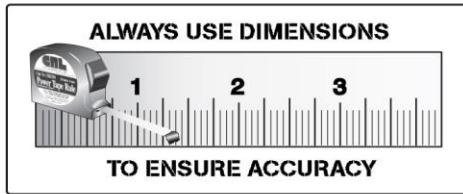
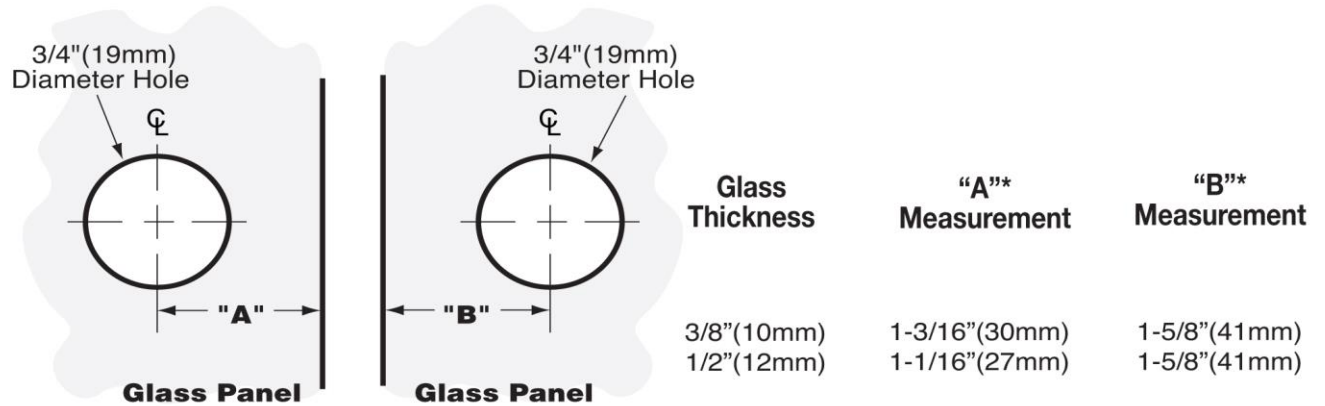
Includes: Mounting screws and gaskets

TYPICAL INSTALLATION

Important: Project measurements from the edge of the glass



TEMPLATE OPTION FOR SQUARE CUT GLASS



GLASS CLAMPS

The Template Options on This Page Apply to the Following Clamps:

90° Glass Clamp
(Glass-to-Glass Application)

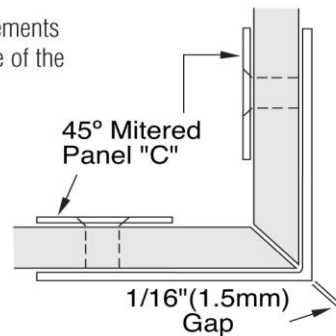
CAT. No. BGC90

90° Glass Clamp

CAT. No. SGC90

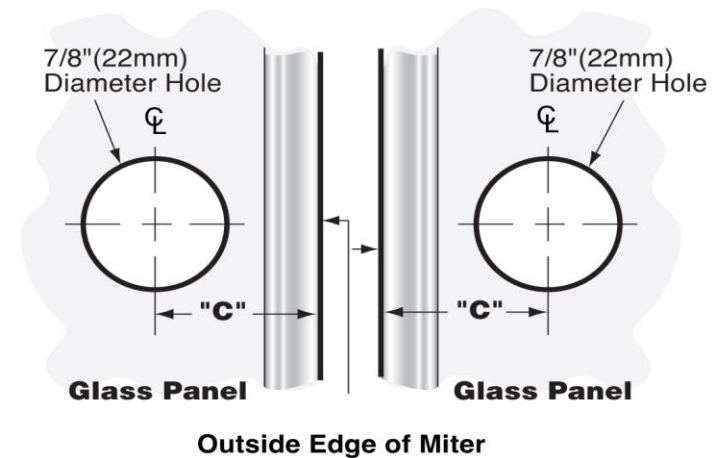
TYPICAL INSTALLATION

Important: Project measurements from the outside of the mitered glass.



Glass Thickness	"C"* Measurement
3/8"(10mm)	1-1/2"(38mm)
1/2"(12mm)	1-1/2"(38mm)

TEMPLATE OPTION FOR 45° MITERED GLASS



*From the Outside Edge of Miter

C.R. Laurence Co., Inc.
crlaurence.com

For technical assistance in the United States call toll free (800) 421-6144; from Canada call toll free (877) 421-6144; Outside the U.S. and Canada call (323) 588-1281. Ask for Tech Sales at Extension 7740. Toll free fax (800) 458-7496.

© Copyright 2005, C.R. Laurence Co., Inc_SDT21_U5