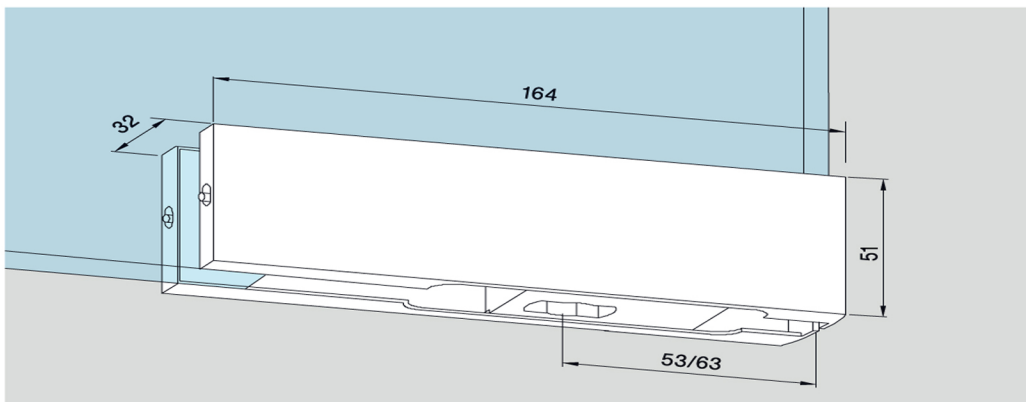


PATCH FITTINGS

Shown with 10 mm glass. When used with 8 and 12 mm glass the measurements change accordingly.

Accessories for additional versions with 8 or 10 mm glass see page 132.



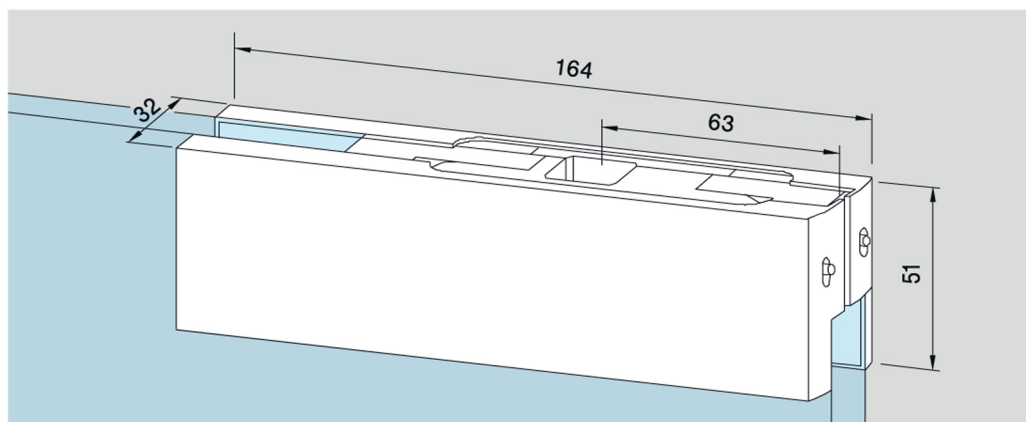
PT 10 bottom patch

with insert for DORMA floor spring spindle, or round pivot 14 mm Ø

Not illustrated:

For 12 mm glass thickness, only in satin stainless steel

For 15 and 19 mm glass thicknesses. Please specify with order.

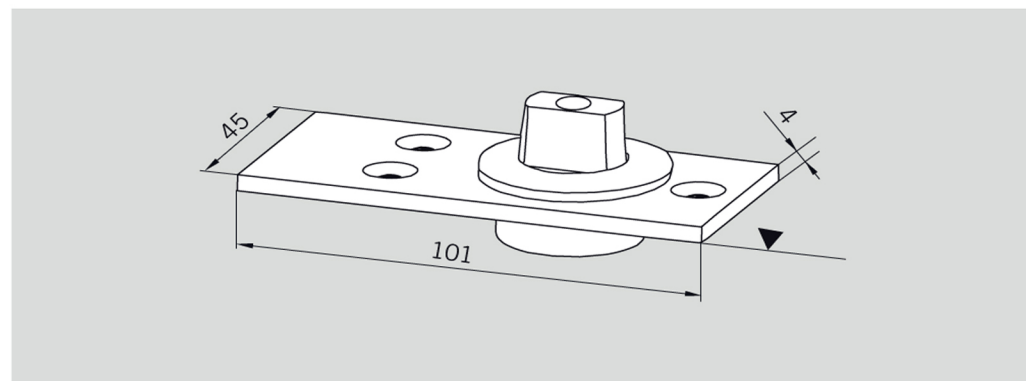


PT 22 top patch

with insert for DORMA RTS transom closer

Not illustrated:

For 12 mm glass thickness, only in satin stainless steel

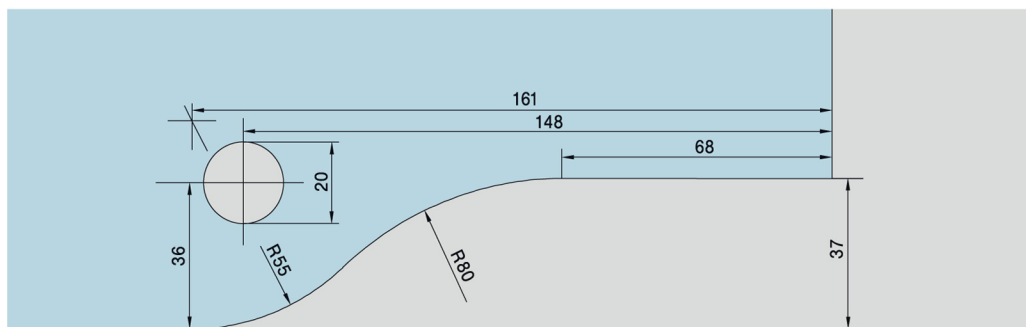


Floor bearing

with DORMA profile spindle (longer spindle on request), max. door weight 200 kg

Stainless steel, max. door weight 200 kg

GLASS PREPARATION FITTINGS



PT 10, PT 20, PT 22, PT 29, PT 30

Top and bottom patches, overpanel patch

Art. No. 03.100, 03.110, 03.114, 03.120, 03.212, 03.280, 03.281, 03.282, 03.420, 03.421

Scale 1 : 2