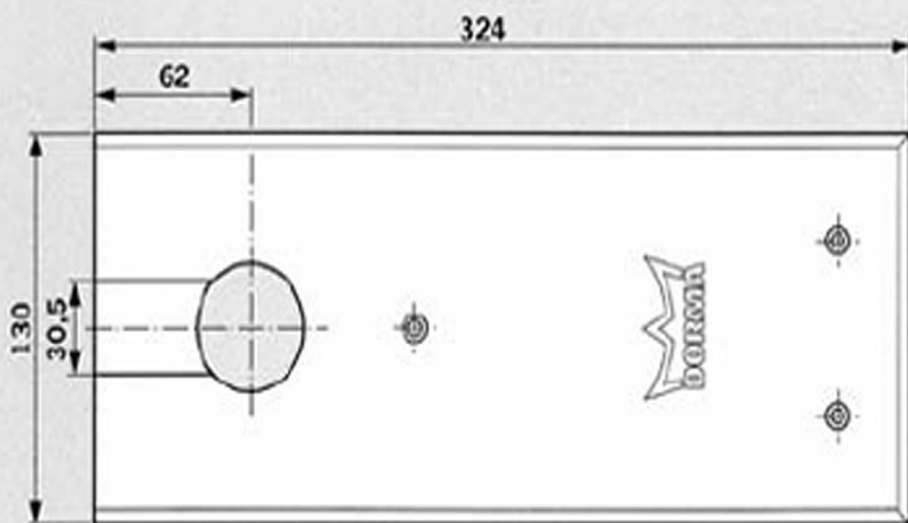


Cover Plate



Standard and optional functions

- 1 Fully controlled closing with adjustable speed
- 2 Adjustable final closing
- 3 Progressive mechanical backcheck
- 4 Mechanical backstop**
- 5 Hold-open points – depending on model (optional) 105° or 90°

** Door opening angle max. 130° on both sides; in the case of heavy doors which can be opened further, door stops must be used. In the case of single action doors, the opening angle may be reduced depending on the door design.