

# EASY GLASS® PRO

Exceptionally strong and safe

PERFECT ALIGNMENT MADE EASY

## Easy Glass PRO Top Mount F Frameless Glass Balustrade

### Installation Type:

Base shoe, Top Mount F (inside fixing, mounting)

**Suitable for:** Indoor and outdoor

**Application:** Unfinished floor balustrades

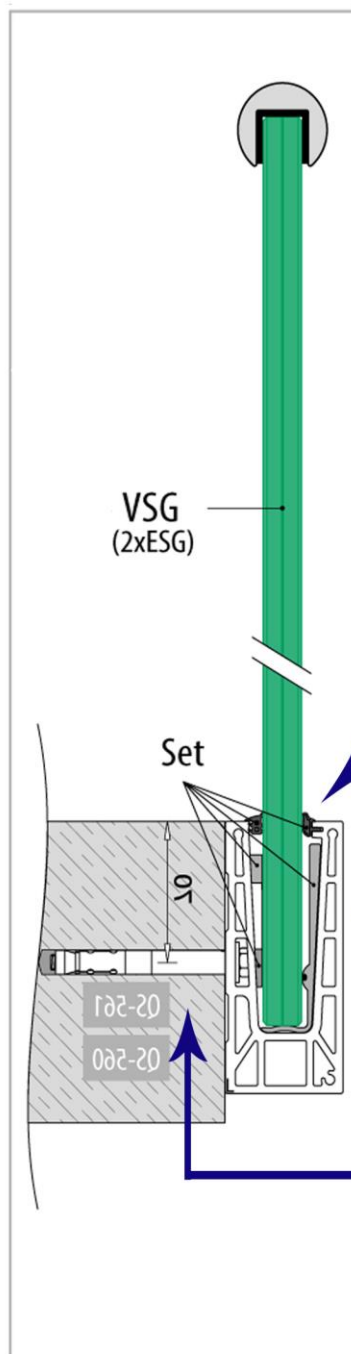
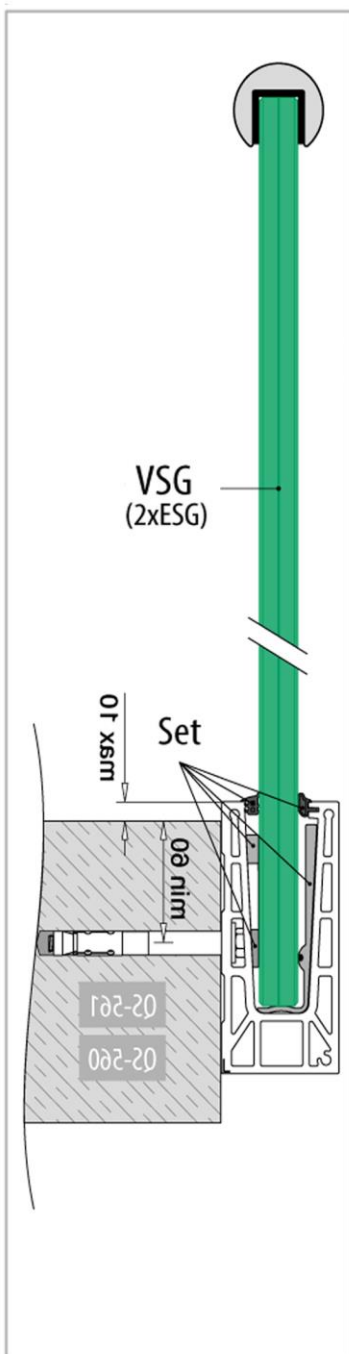
**Material:** Aluminium with stainless steel (IX) effect

**Glass Thickness:** 12mm to 21.52mm

**Length:** 2500/5000

This elegant strongman can cope with extremely heavy line and wind loads. Its combination of qualities makes Max the perfect choice for high demand public areas such as stadiums, airports and shopping malls.

- Heavy and extremely heavy use railings for indoor and outdoor settings, including stairs
- Simple installation with hexagon-head anchors
- Can be installed directly on to concrete or steel structures
- Quick and easy glass mounting thanks to the Safety Wedge System (wedges and rubber set)
- Can be combined with:
  - Q-railings glass mounted handrails, cap rails, U-profiles and edge protection
  - Q-glass (glass infill – custom made panels or from stock)
  - Q-lights Linear Light (for LED-lit handrails and cap rails)



← **Cap/Hand Rails**  
are available & sold separately



**Rubber Inserts & Wedge Kit**



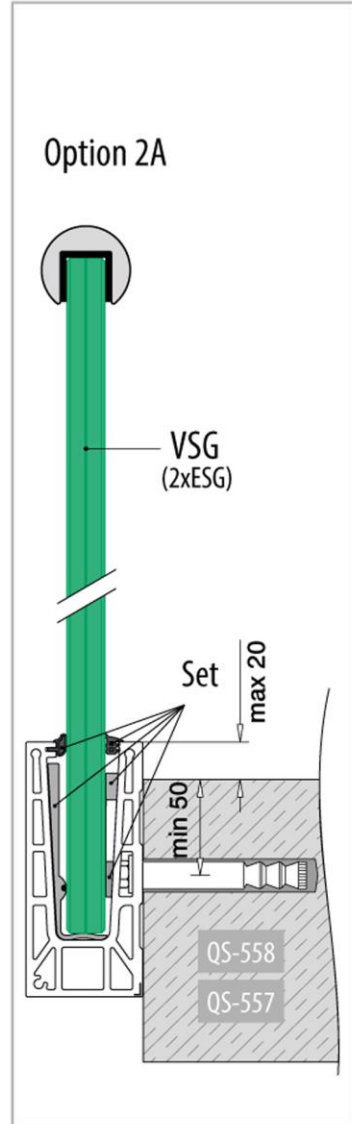
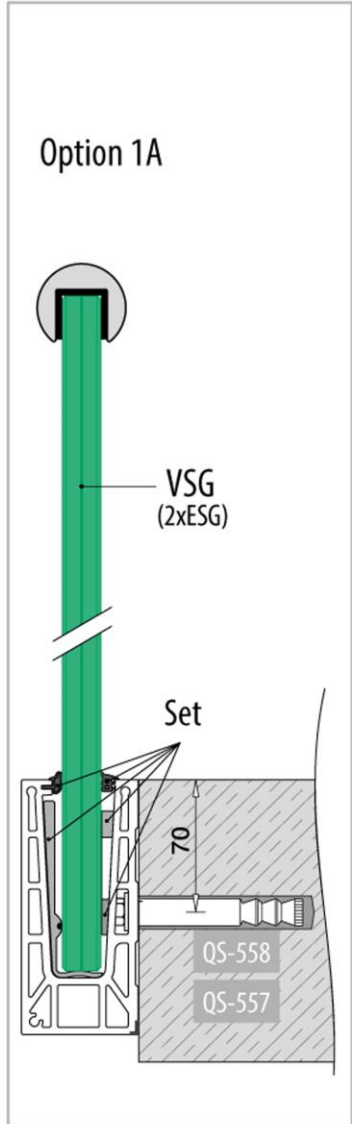
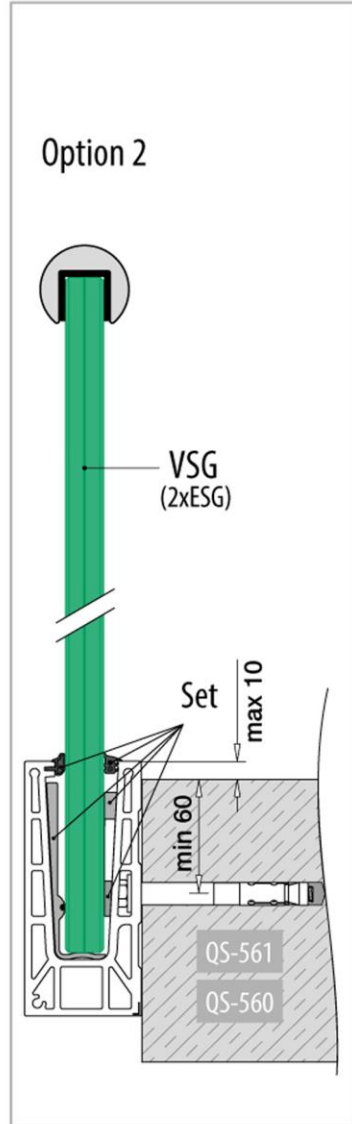
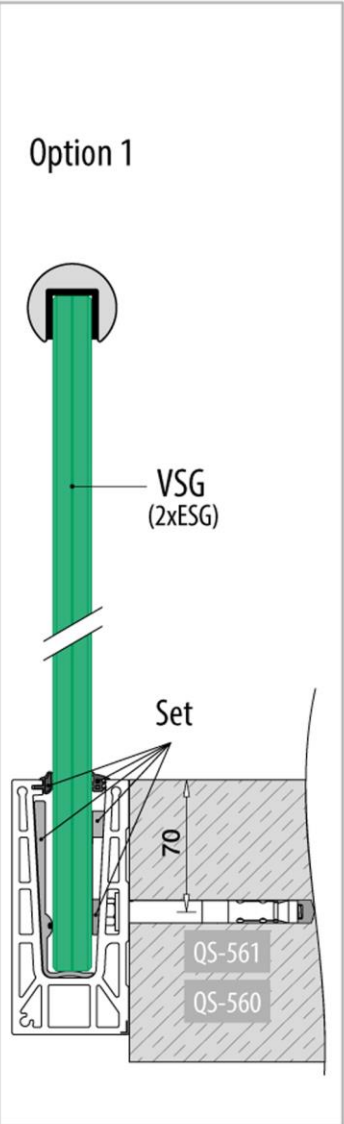
← **Top Mount Base Channel**



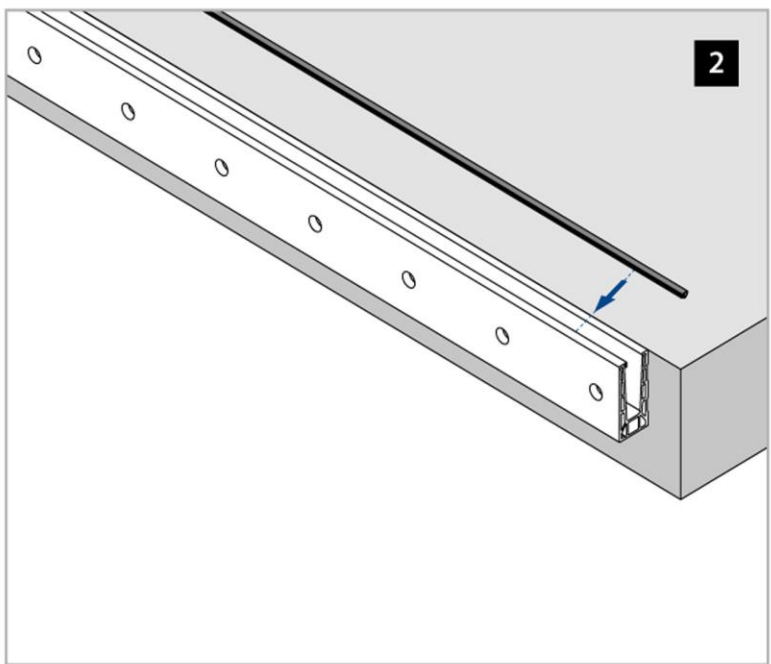
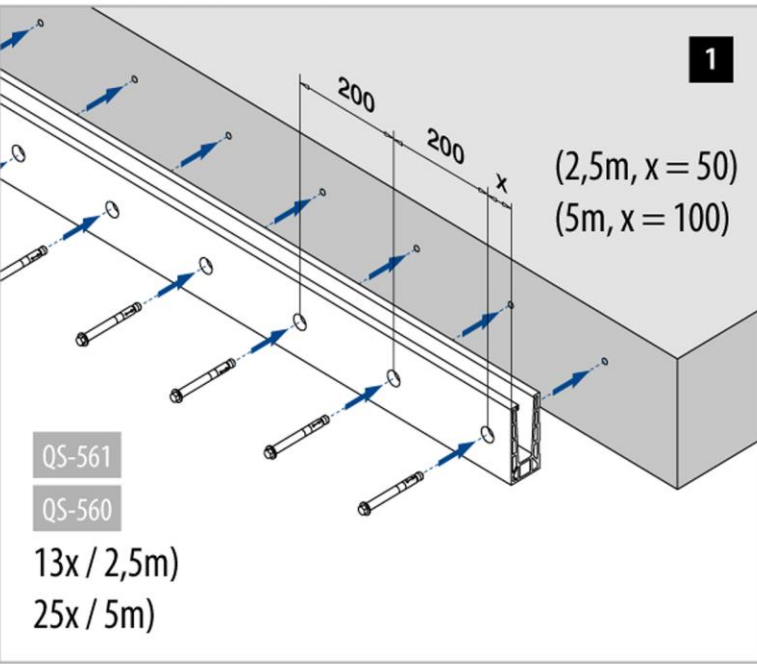
← **Fixing Materials/Bolts**  
are available & sold separately

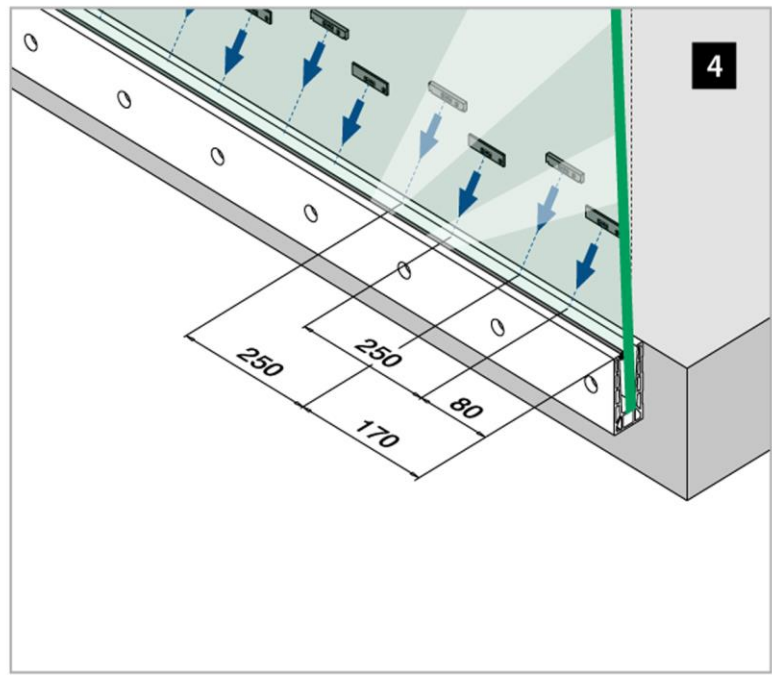
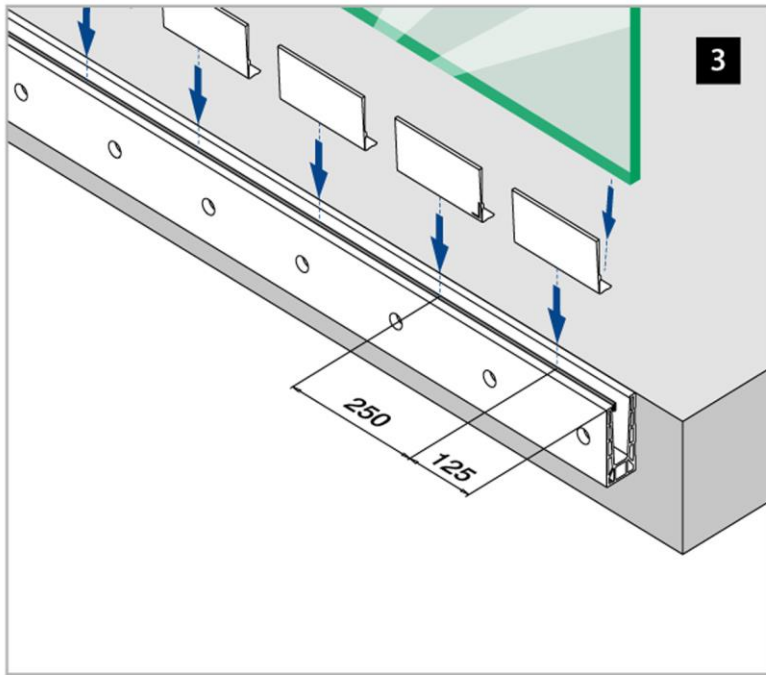


# Installation Options



# Installation Guide



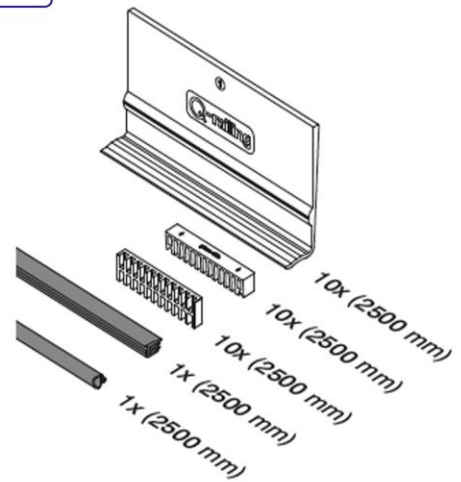


Rubber Inserts and adjustable wedge kit for Easy Glass Pro base channel.

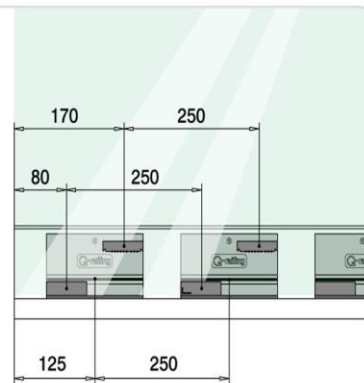
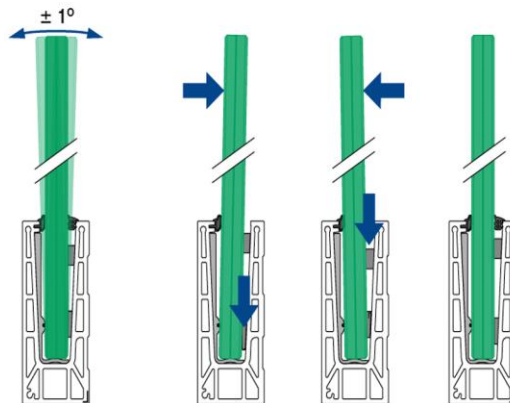
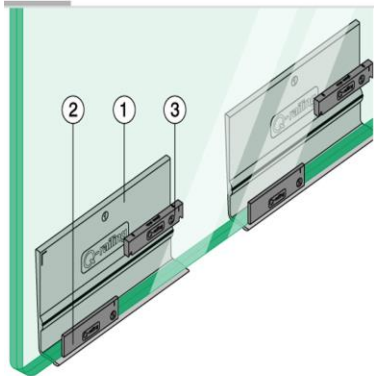
### Multitool

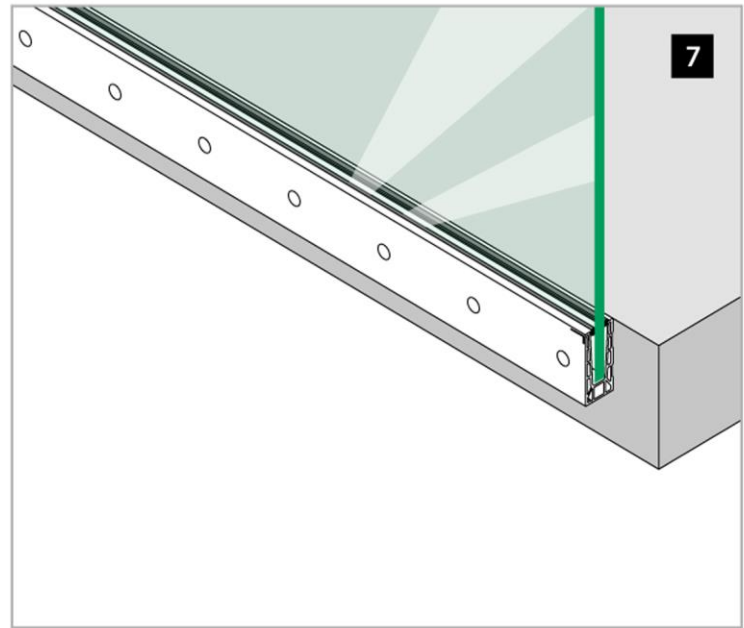
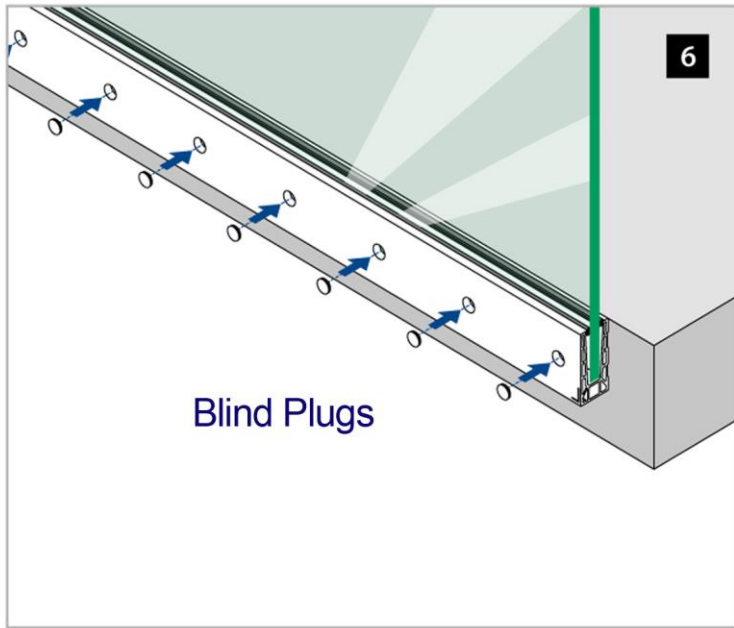


Designed to make rubber insert and safety wedge kit installation quick and easy..



Glass alignment made easy, glass panels adjustable in every direction by up to 10mm - from inside the balustrade





**Related Fittings**

