

EASY GLASS® PRO

PERFECT ALIGNMENT MADE EASY

Easy Glass PRO Top Mount Frameless Glass Balustrade

Installation Type: Base shoe, Top Mount (inside fixing, mounting)

Suitable for: Indoor and outdoor

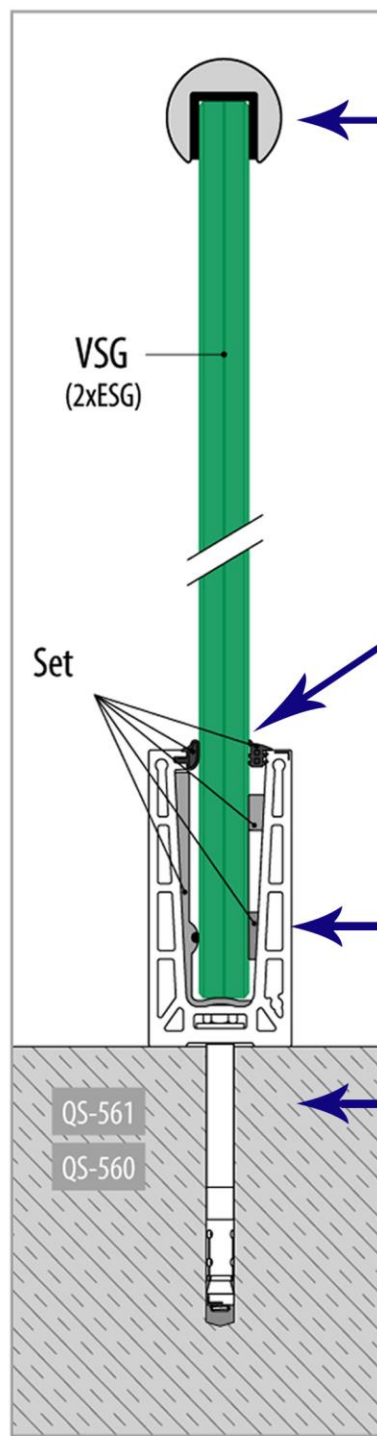
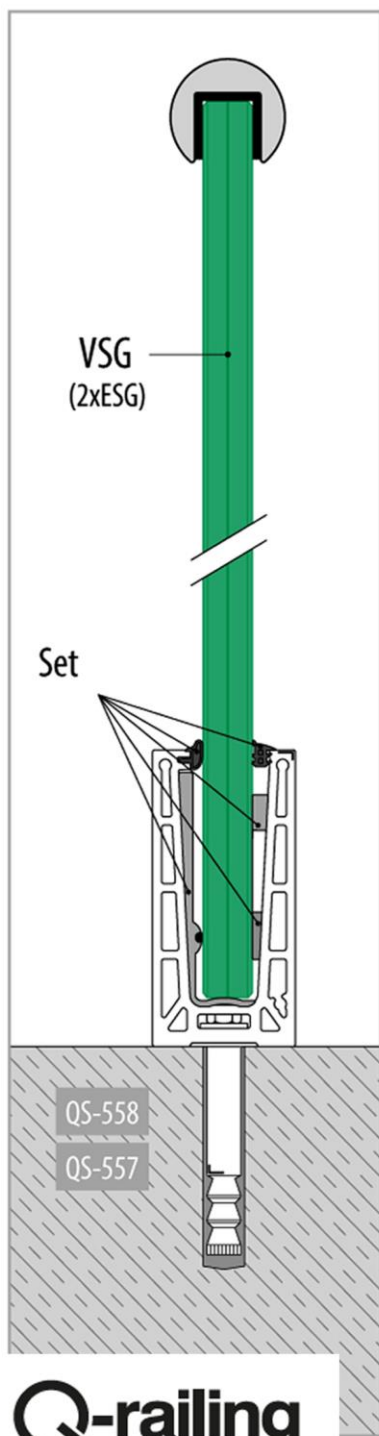
Application: Stairs and balustrades

Material: Aluminium with stainless steel (IX) effect

Exceptionally strong and safe

This elegant strongman can cope with extremely heavy line and wind loads. Its combination of qualities makes Max the perfect choice for high demand public areas such as stadiums, airports and shopping malls.

- Heavy and extremely heavy use railings for indoor and outdoor settings, including stairs
- Simple installation with hexagon-head anchors
- Can be installed directly on to concrete or steel structures
- Quick and easy glass mounting thanks to the Safety Wedge System (wedges and rubber set)
- Can be combined with:
 - Q-railing's glass mounted handrails, cap rails, U-profiles and edge protection
 - Q-glass (glass infill – custom made panels or from stock)
 - Q-lights Linear Light (for LED-lit handrails and cap rails)



Cap/Hand Rails
are available & sold separately



Rubber Inserts & Wedge Kit



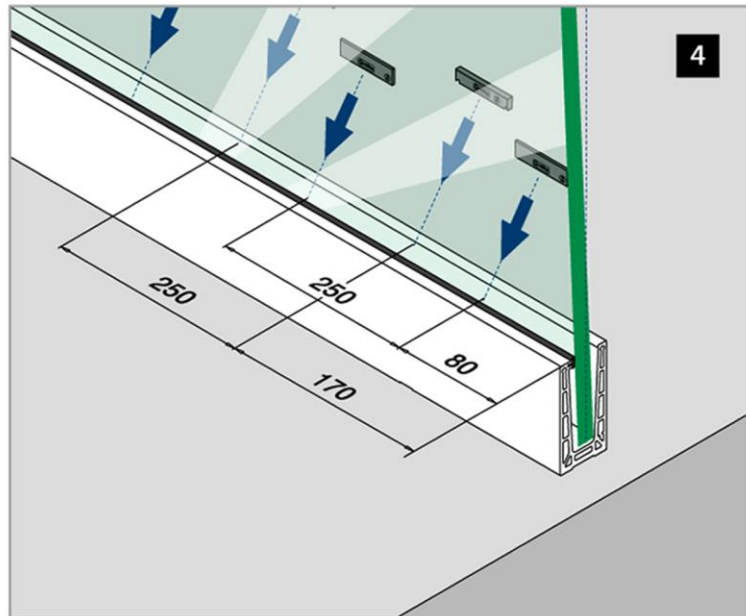
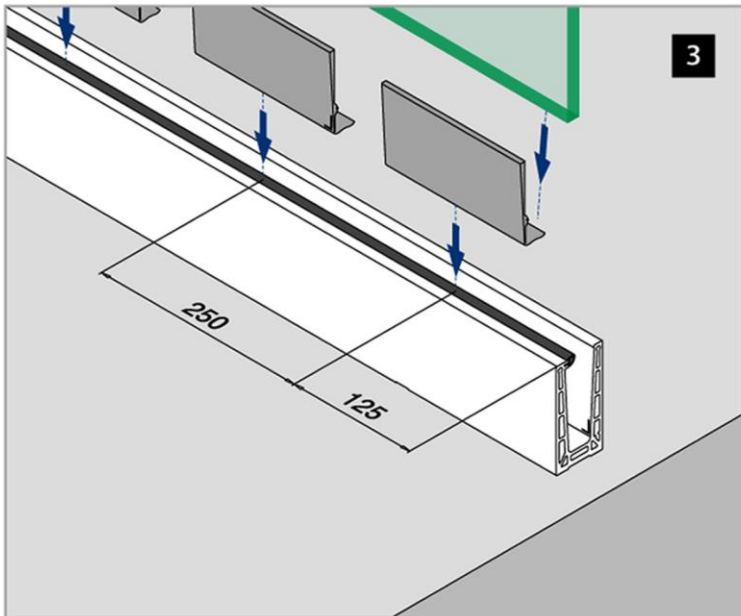
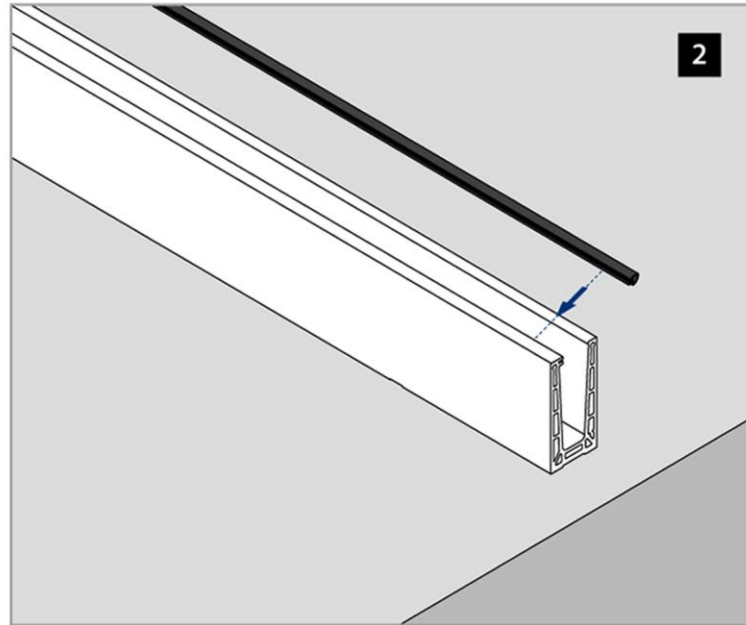
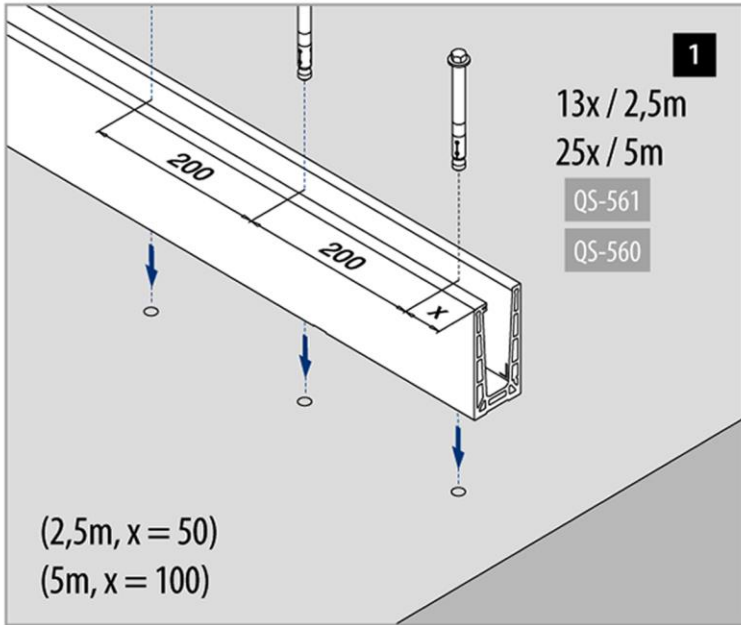
Top Mount Base Channel



Fixing Materials/Bolts
are available & sold separately



Q-railing

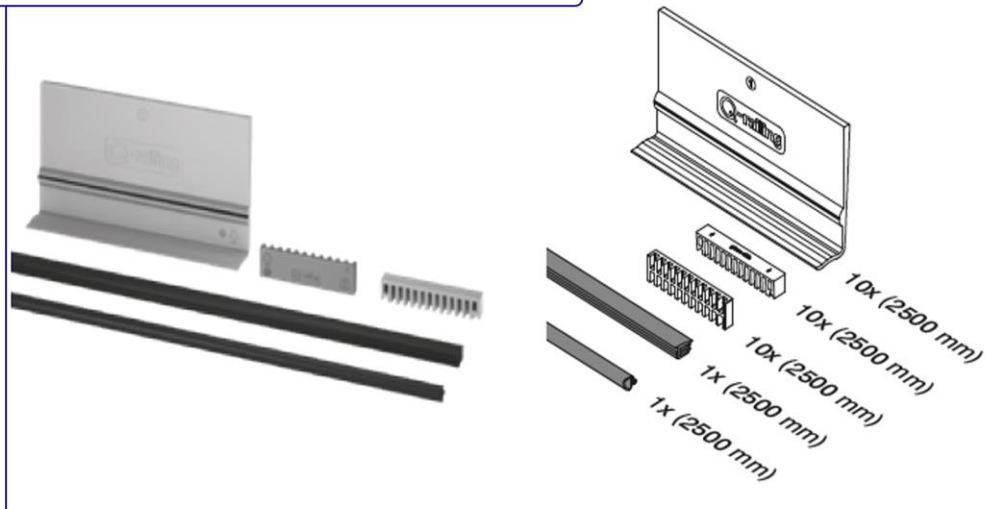


Rubber Inserts and adjustable wedge kit for Easy Glass Pro base channel.

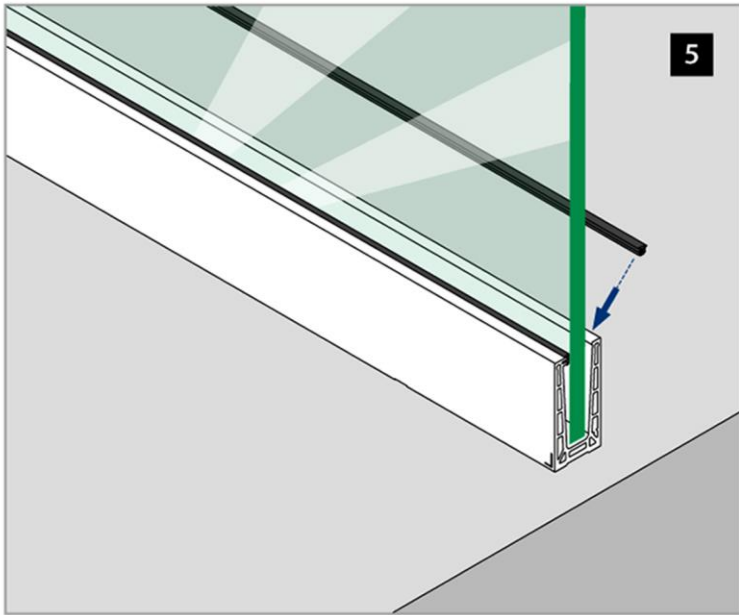
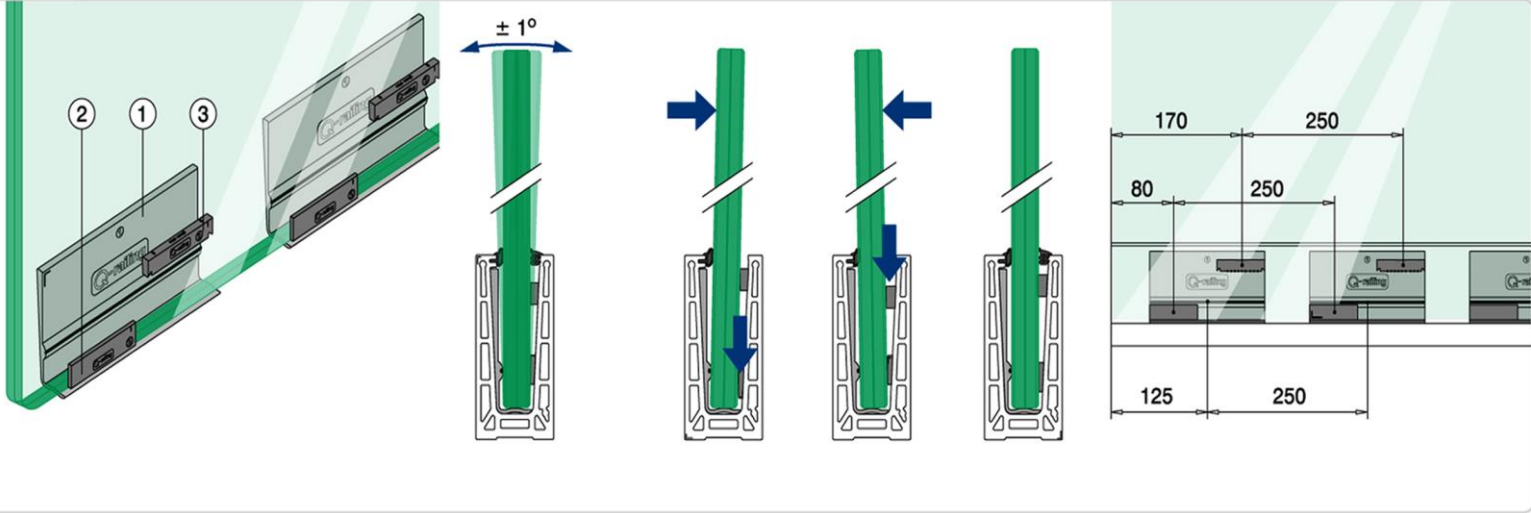
Multitool



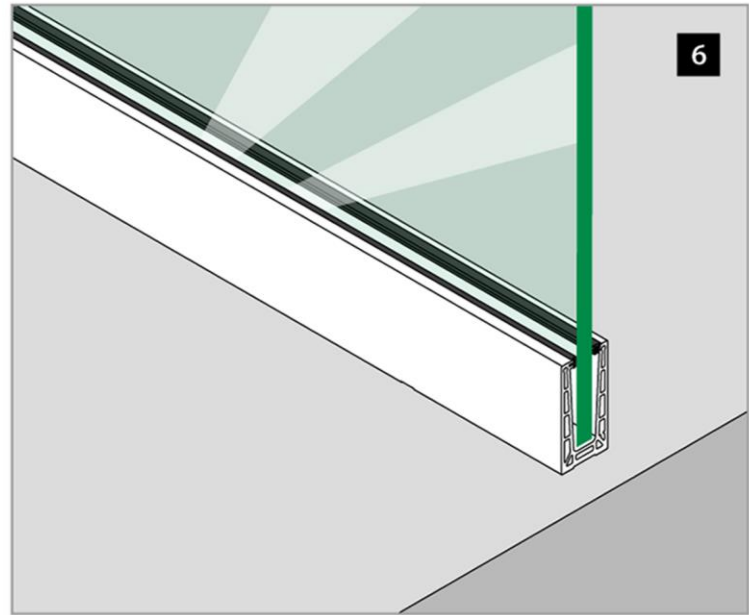
Designed to make rubber insert and safety wedge kit installation quick and easy..



Q-INFO

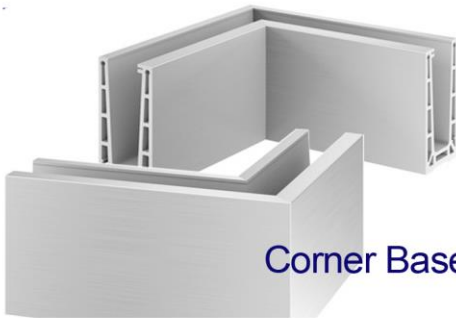


5



6

Related Fittings



Corner Base Channels



End Caps



Connection Pins for Easy Glass

