

EASY GLASS® PRO

Exceptionally strong and safe

PERFECT ALIGNMENT MADE EASY

This elegant strongman can cope with extremely heavy line and wind loads. Its combination of qualities makes Max the perfect choice for high demand public areas such as stadiums, airports and shopping malls.

Easy Glass PRO Y Fascia Mount Frameless Glass Balustrade

Installation Type:

Base shoe, Fascia Mount Y (in-floor mounting)

Suitable for: Indoor and outdoor

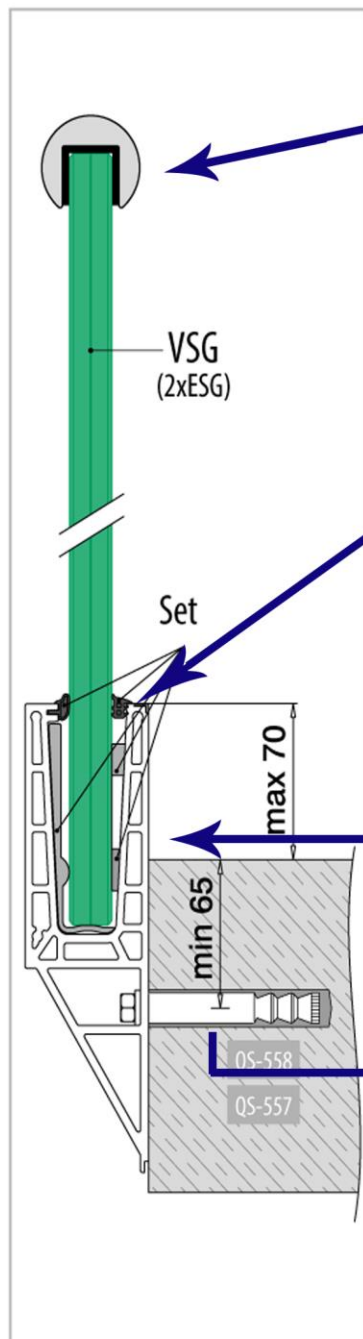
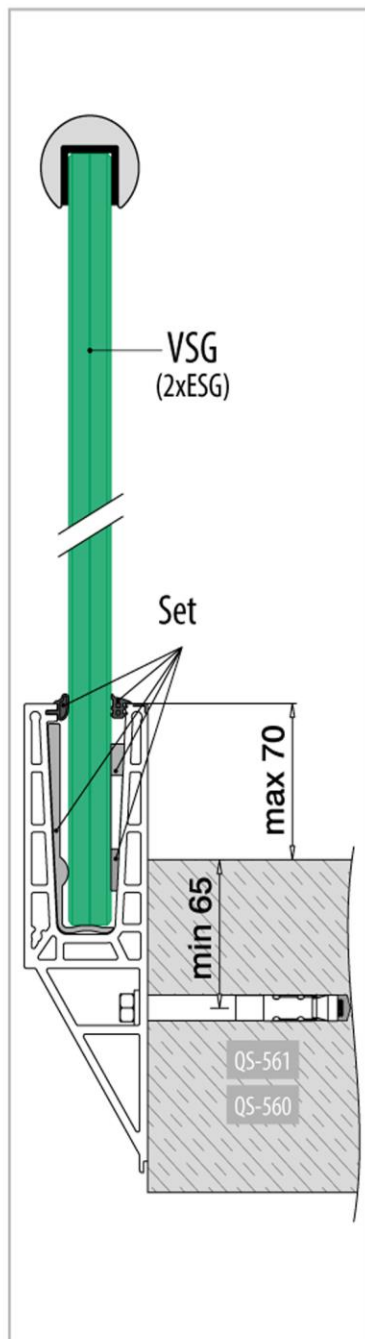
Application: Unfinished floor balustrades

Material: Aluminium with stainless steel (IX) effect

Glass Thickness: 12mm to 21.52mm

Length: 2500/5000

- Heavy and extremely heavy use railings for indoor and outdoor settings, including stairs
- Simple installation with hexagon-head anchors
- Can be installed directly on to concrete or steel structures
- Quick and easy glass mounting thanks to the Safety Wedge System (wedges and rubber set)
- Can be combined with:
 - Q-railing's glass mounted handrails, cap rails, U-profiles and edge protection
 - Q-glass (glass infill – custom made panels or from stock)
 - Q-lights Linear Light (for LED-lit handrails and cap rails)



Cap/Hand Rails
are available & sold separately



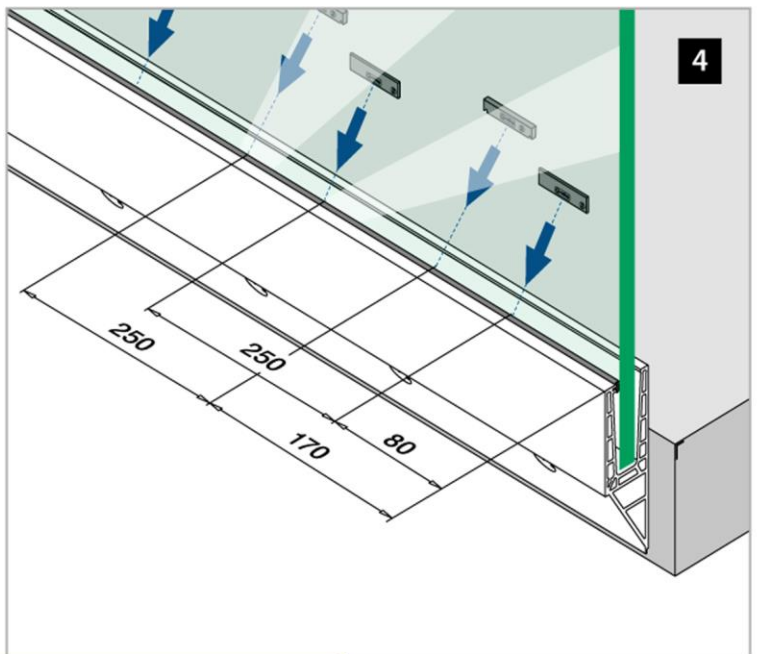
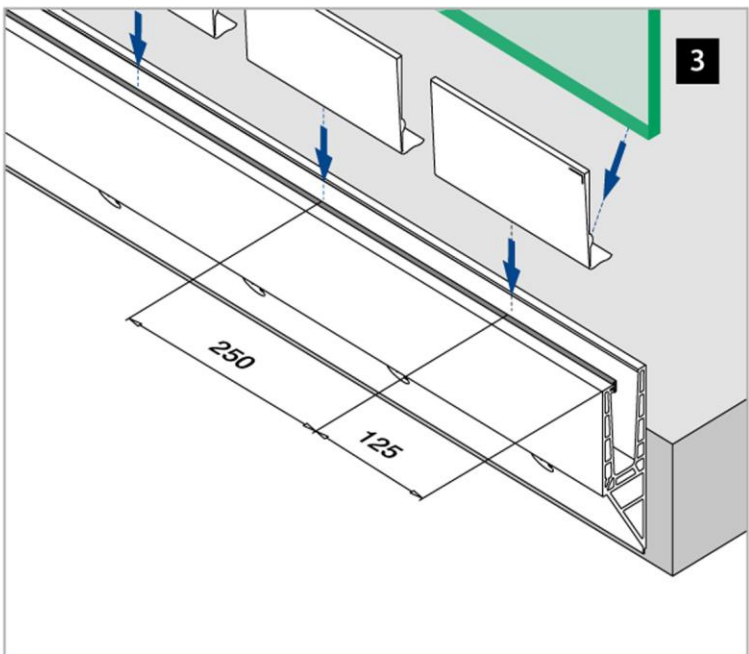
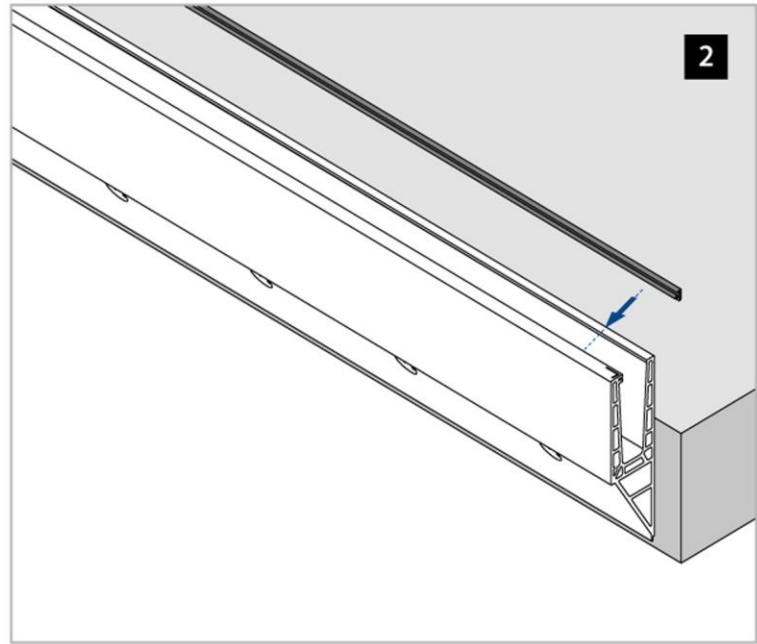
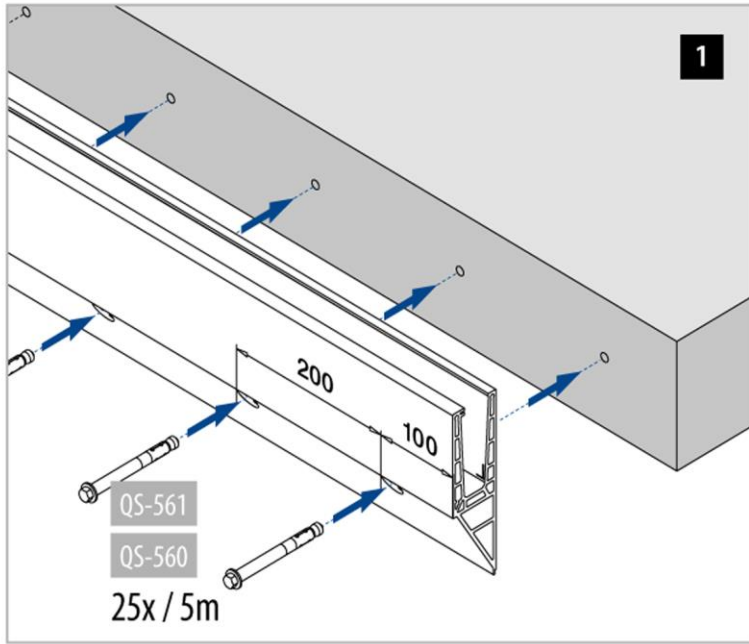
Rubber Inserts & Wedge Kit

Fascia Y Mount Base Channel



Fixing Materials/Bolts
are available & sold separately



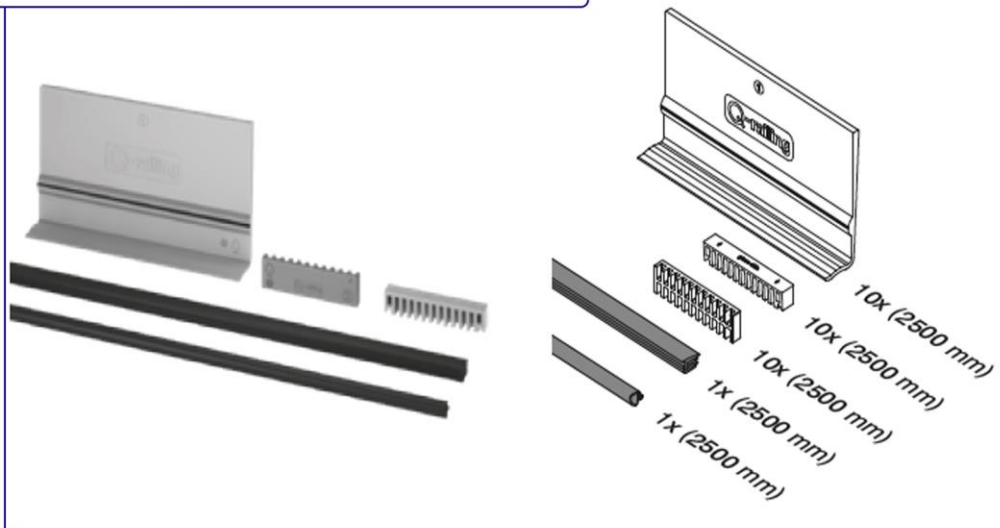


Rubber Inserts and adjustable wedge kit for Easy Glass Pro base channel.

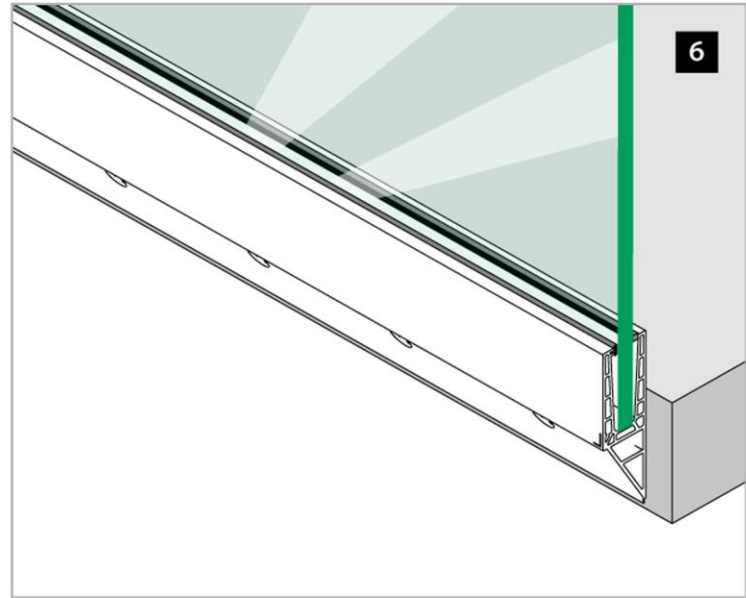
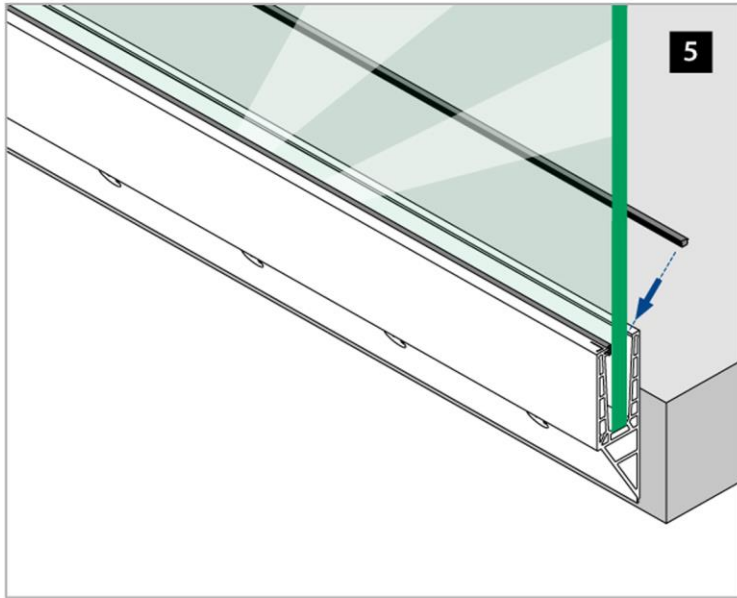
Multitool



Designed to make rubber insert and safety wedge kit installation quick and easy..



Glass alignment made easy, glass panels adjustable in every direction by up to 10mm - from inside the balustrade



Related Fittings



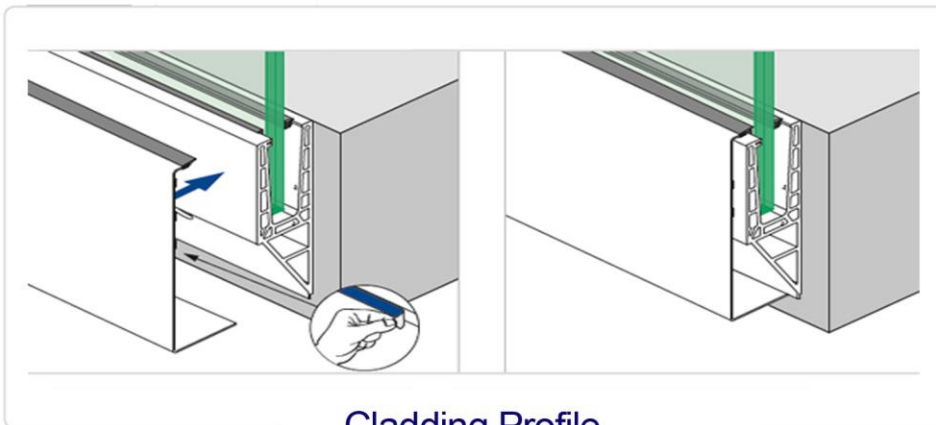
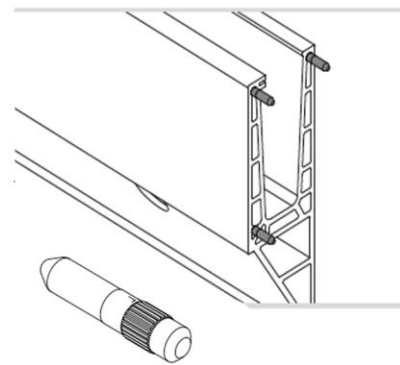
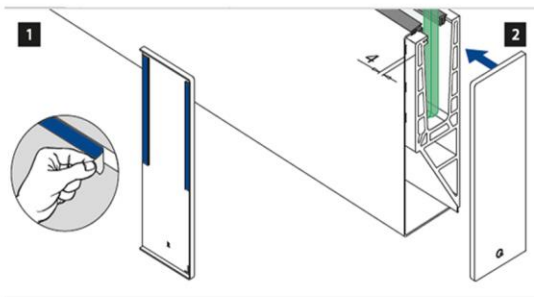
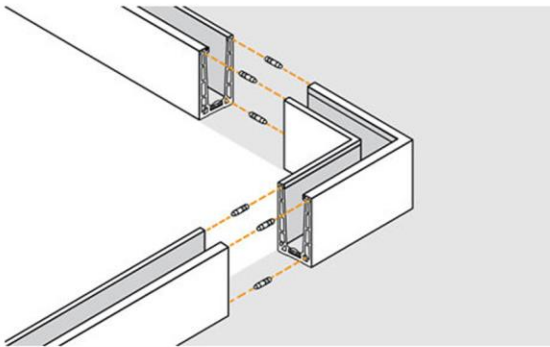
Corner Base Channels



End Caps



Connection Pins for Easy Glass



Cladding Profile



Blind Plugs