

Easy Glass Up

Easy Glass Up - Parapet Frameless Glass Balustrade

Installation Type: Base shoe, Top Mount
(inside fixing, mounting)

Suitable for: Indoor and outdoor

Application: Upright frameless glass
balustrade for parapet walls

Material: Aluminium (Power coated RAL 9006)

Length: 5000mm

Clear views from any area enclosed by parapet walls

The Easy Glass® Up base shoe is ultra-slender at only 80 mm high.

- Light and medium use railings for indoor and outdoor parapet walls
- Compatible with glass infills up to 700 mm high
- Convenient installation from inside the railing
- Quick and easy glass mounting with the unique Safety Wedge System (wedges and rubber set)
- Can be combined with:
 - Q-railing's glass mounted handrails, cap rails, U-profiles and edge protection
 - Q-glass (glass infill – custom made or from stock)
 - Q-lights Linear Light (for LED-lit handrails and cap rails)



Easy Glass® Up

Max. line load (kN/m)

UK

DE

NL

IT

CH

ES

FR

0,74

1,0

0,8

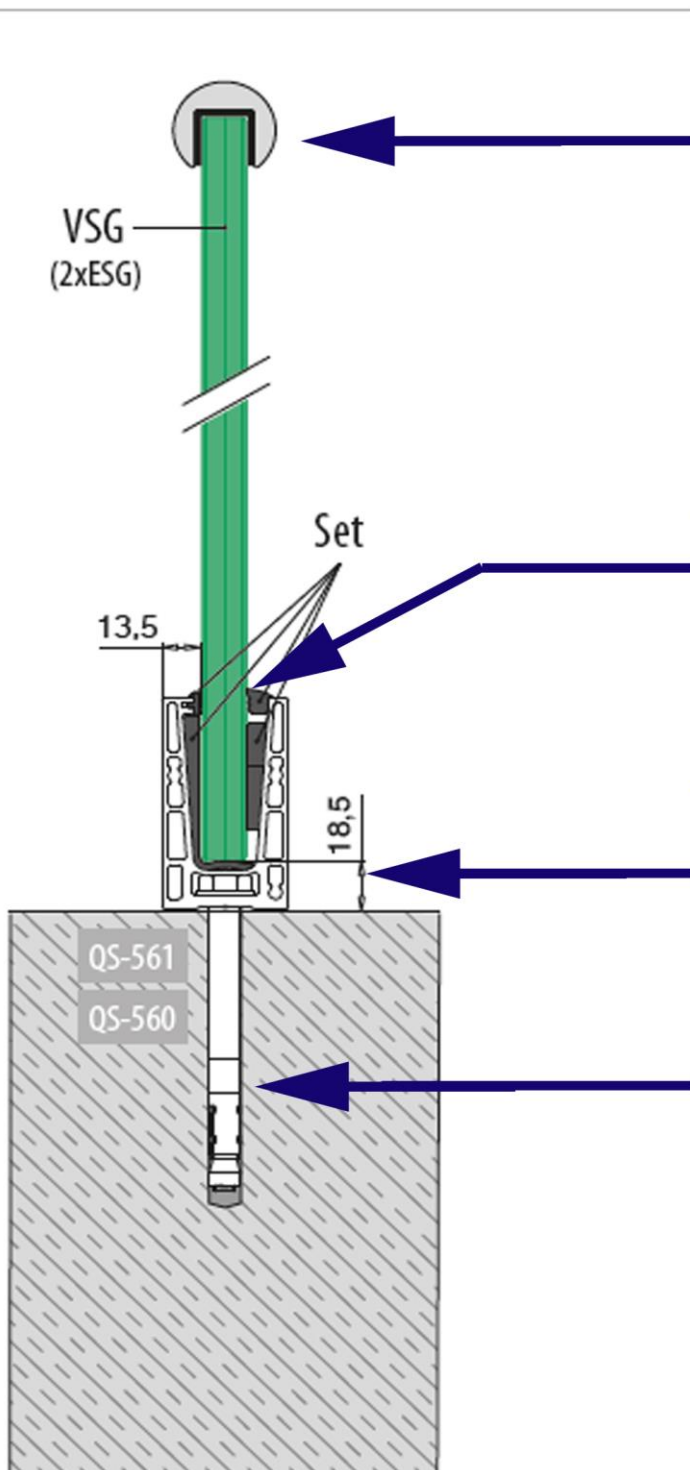
2,0

1,6

1,6

1,0

Please refer to the respective certificates for specifications such as mounting details and glass dimensions. For more information, please visit our website: www.q-railing.com/certificates



Cap/hand Rail
Available to buy separately



Rubber & Wedges Kit

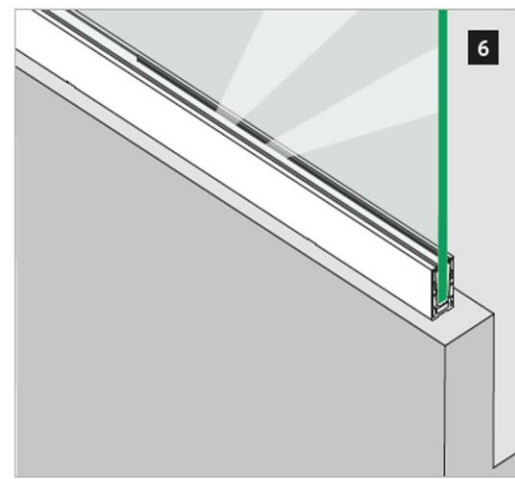
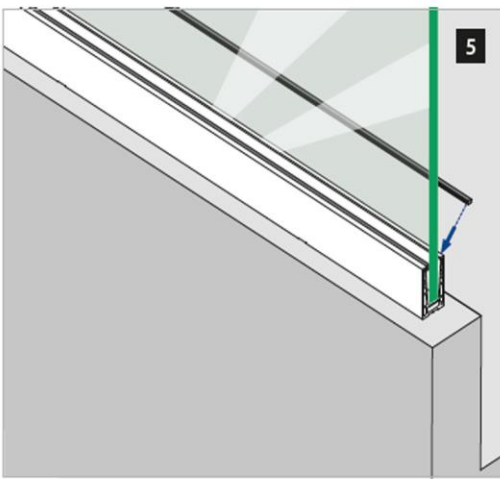
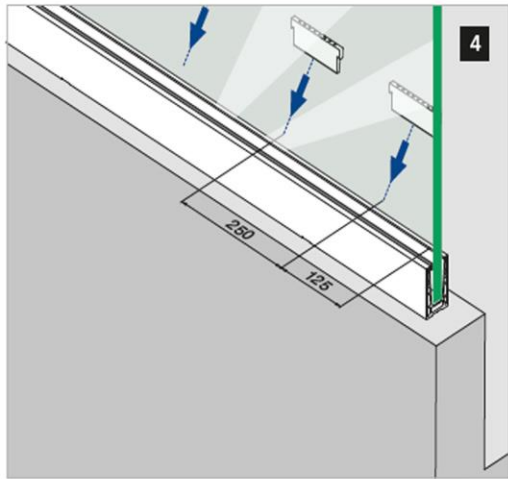
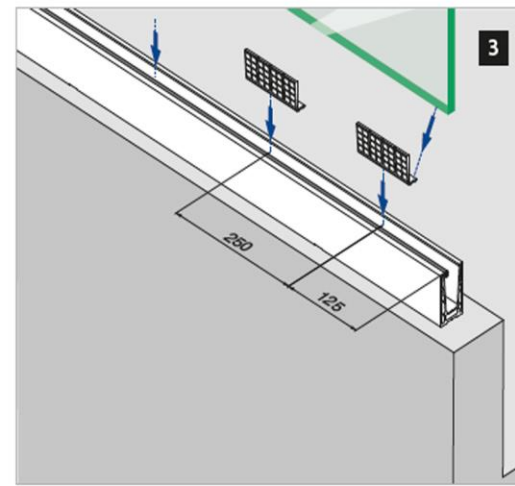
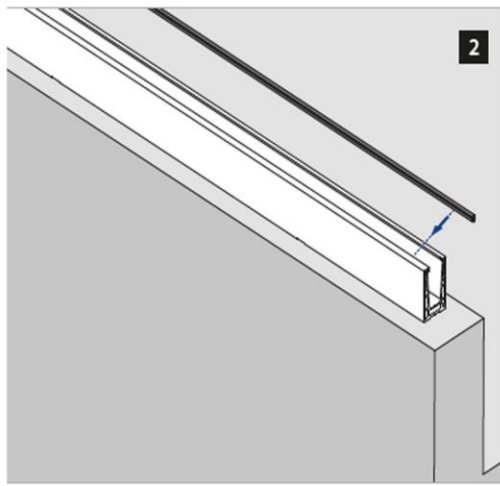
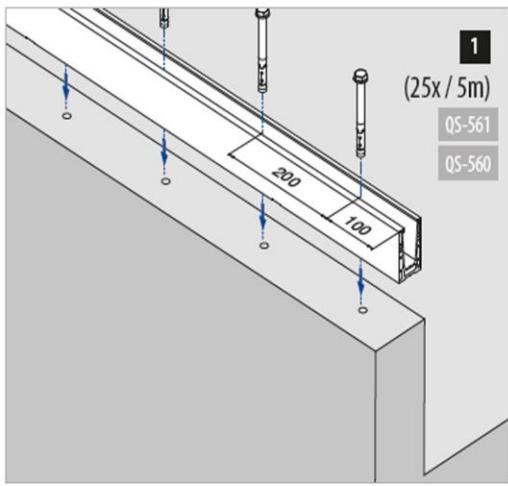


Top Mount Base Channel



Fixing Materials/Bolts
are available & sold separately





Related Fittings

Multitool



Designed to make rubber insert and safety wedge kit installation quick and easy..



End Caps



Connection Pins for Easy Glass

