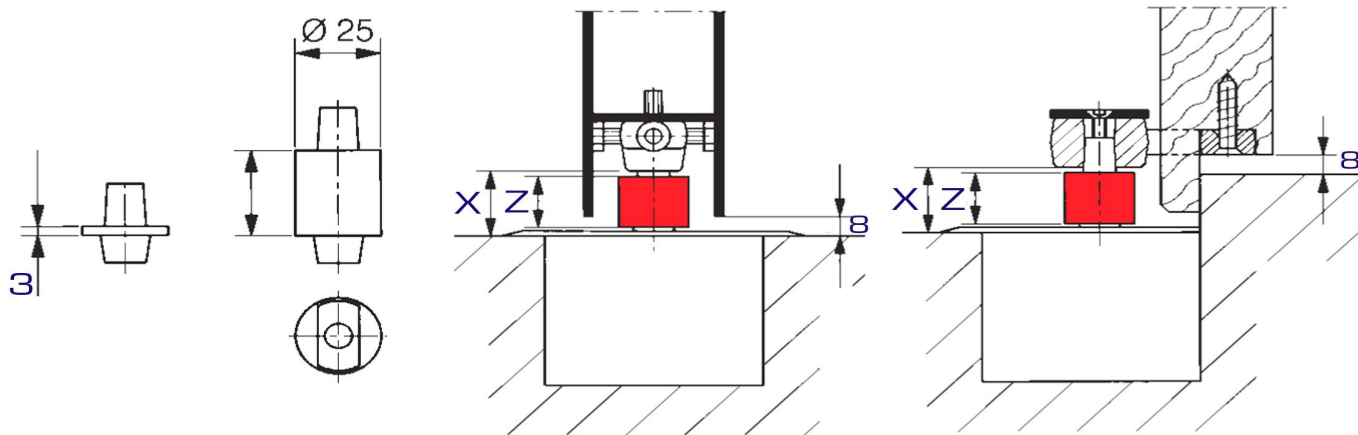




DORMA Extended Spindle Inserts

How to calculate required spindle length;



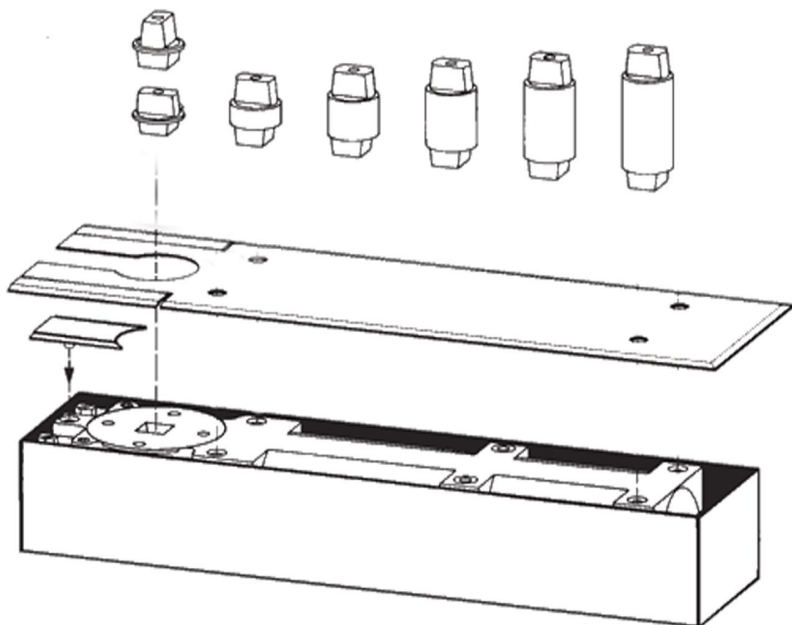
Referring to the diagram above you can calculate the necessary length of spindle extension:

Height **Z** of the extended spindle inserts
= Spindle extension length + 3mm (standard spindle insert height).

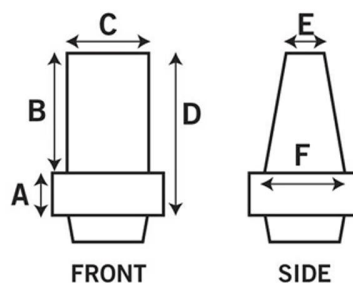
Extension = **X** – floor clearance (normally 8mm)

NOTE: Closer and bottom strap must be installed per fixing instructions for door clearances shown to be valid. Closers with extended spindle inserts are used with thresholds, carpeted floors or in cases where more clearance between door and floor is required.

Placing the spindle inserts



Standard spindle insert



- A = 3mm
- B = 14mm
- C = 21.5mm
- D = 17mm
- E = 10.5mm
- F = 12mm