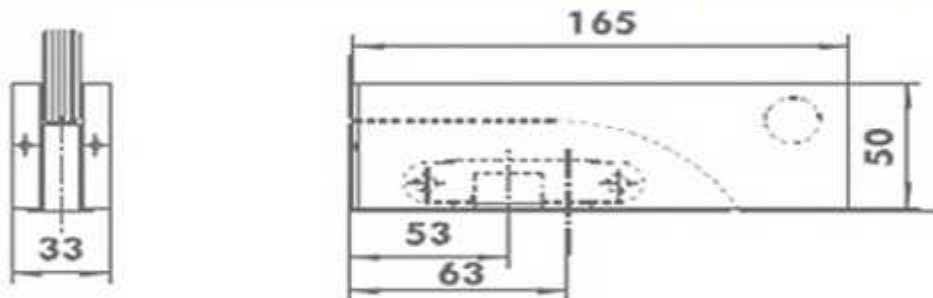


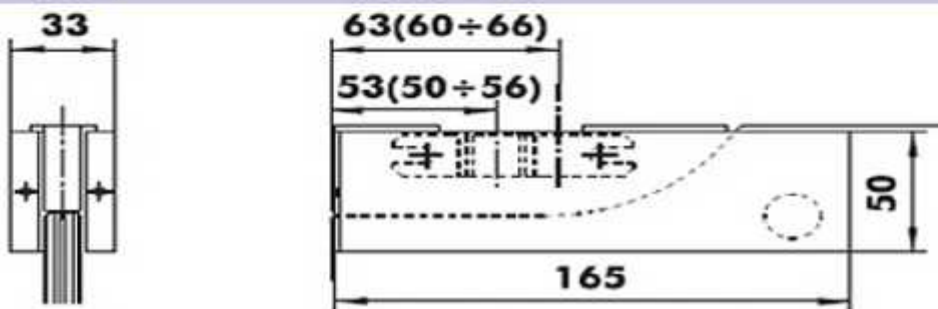


## Technical Drawings

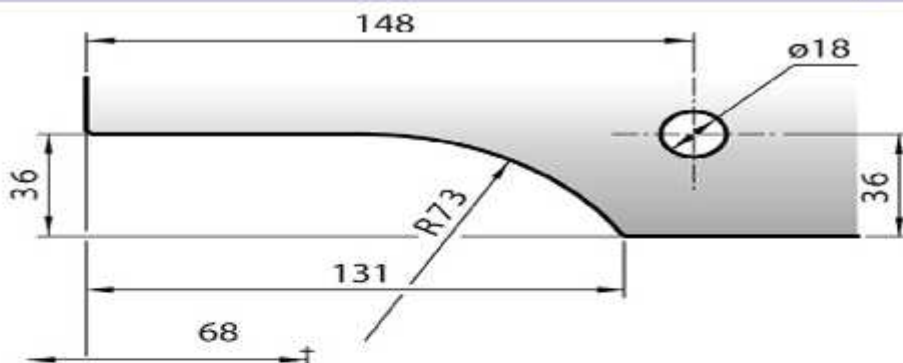
### 051 Bottom Patch with Italian Spindle Adaptor



### 052 Top Patch with Adaptor



### Glass cut-out reference for 051 and 052 patches



### 058P Top Pivot.

