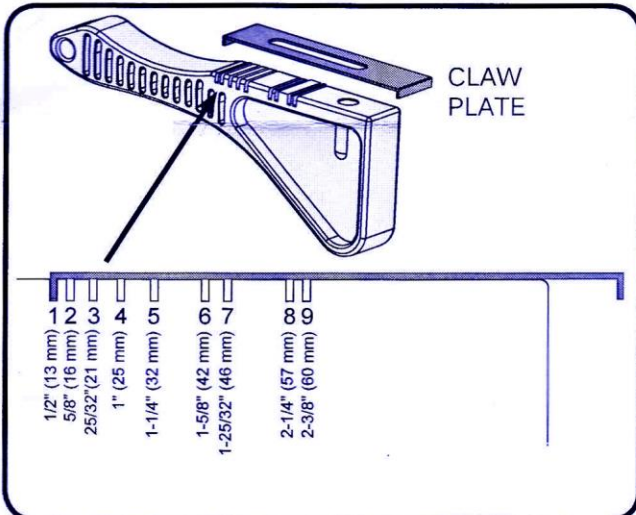
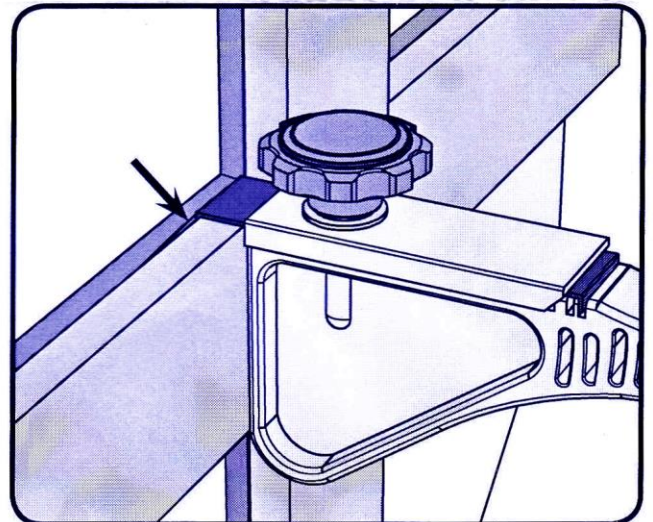


## USER INSTRUCTIONS

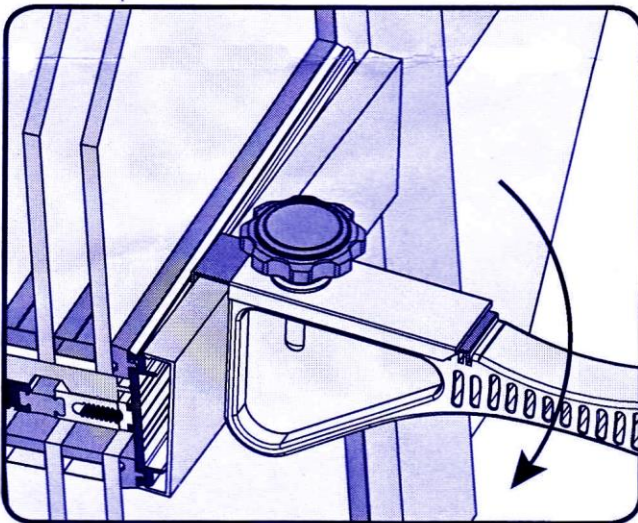
### Cat. No. FCR1 FACE CAP REMOVER



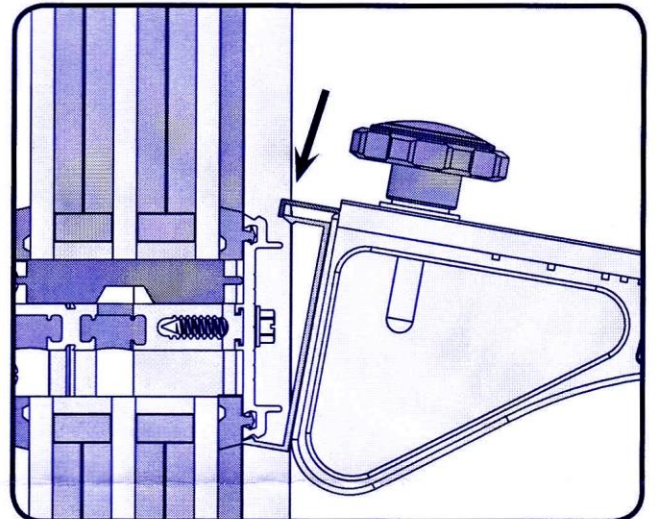
Set the hardened steel Claw Plate into the correct slot and secure.



Starting at one end, insert the Claw Plate between the Face Cap and Glazing Gasket or Seal.



Working your way along the length of the face, using a firm pressure on the handle, away from the knob, separate the edges until the Face Cap pops off. Do not try to pull any remaining cap edge by hand if it is still connected. Bending can occur.



**NOTE:** Make sure that the Claw Plate is only grabbing the edge of the snap node on the Face Cap and not the pressure plate or other underlying structures.