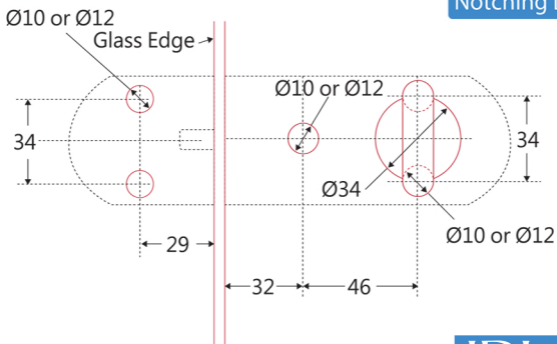
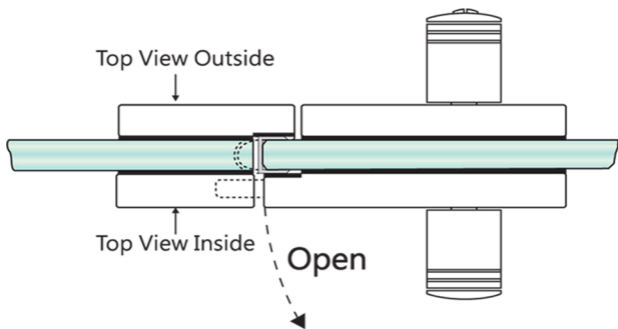


## Notching Details



## IDL-52



## IDL-52L

