

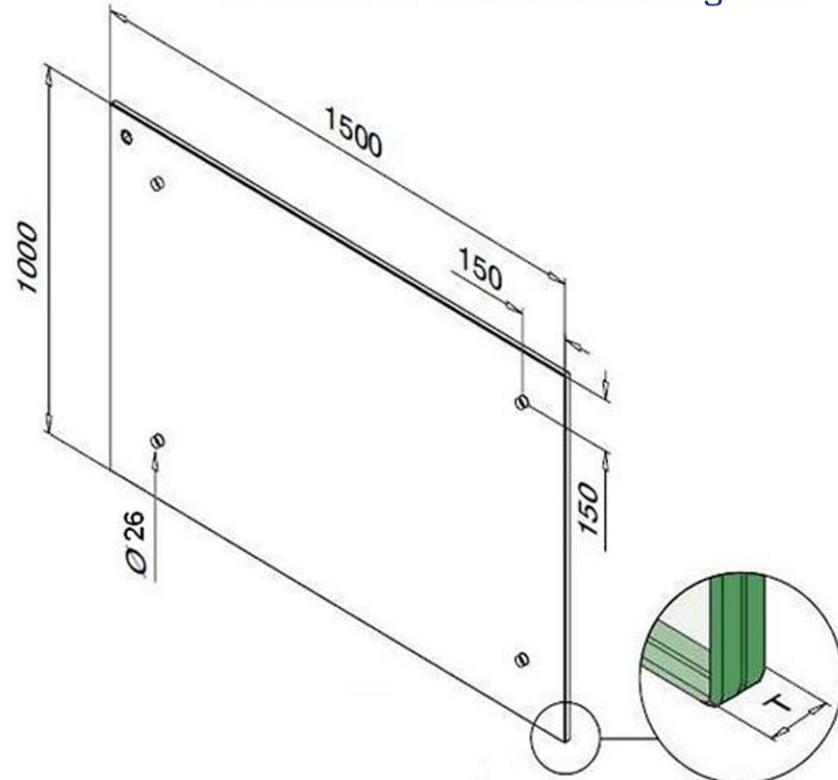


## Juliette Balcony Glass Adapter with Threaded Stud

### Installation Advice:

1. Glass specifications:

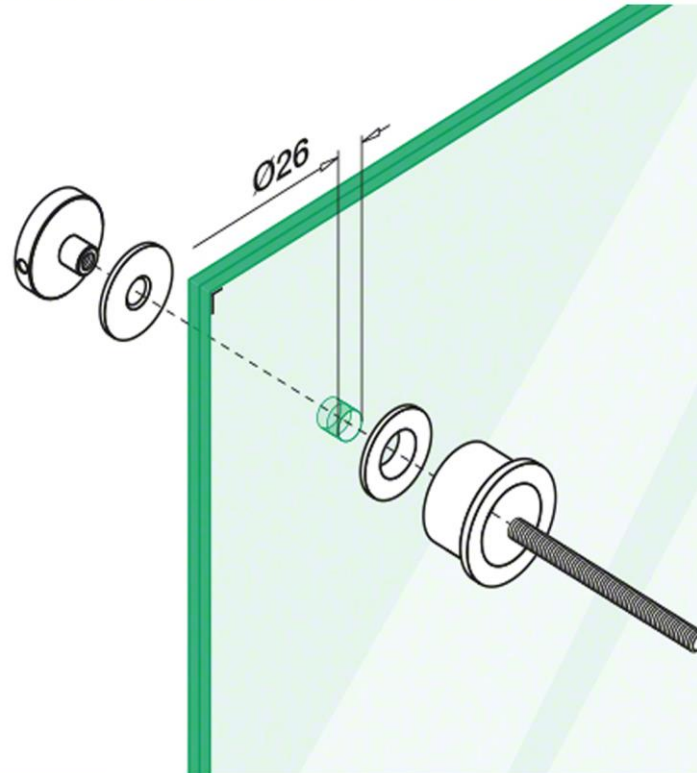
To fit mono and laminated glass.



T: 8mm to 18mm thickness



2. Require a 26mm  $\varnothing$  diameter hole in your glass panel for installation.



Perfectly suited for a flush mounting juliet balcony without the need for top and bottom rails.

