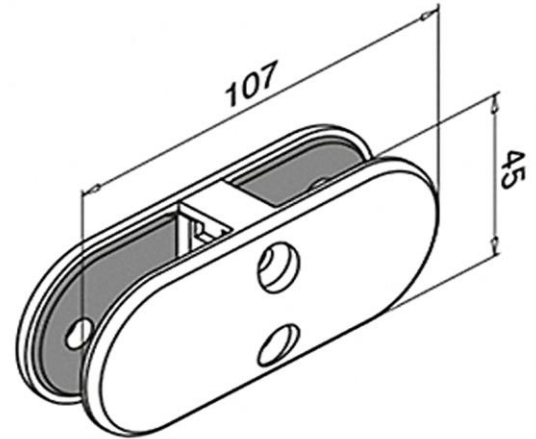
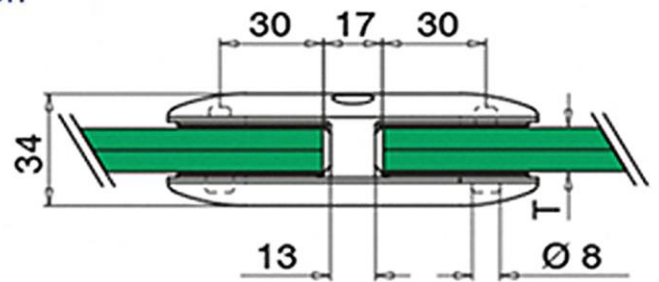




Model 28 180° Glass to Glass In-line Clamp

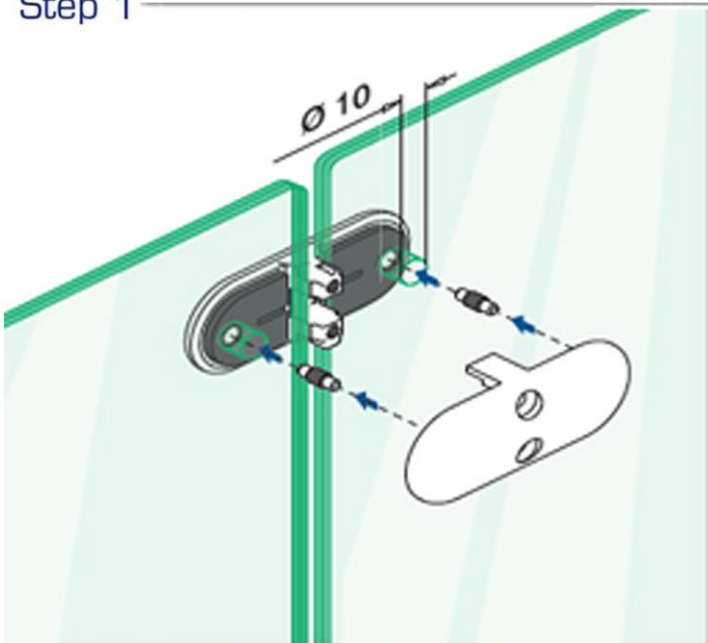


Internal use: 304 grade stainless steel.
External use: 316 grade stainless steel.

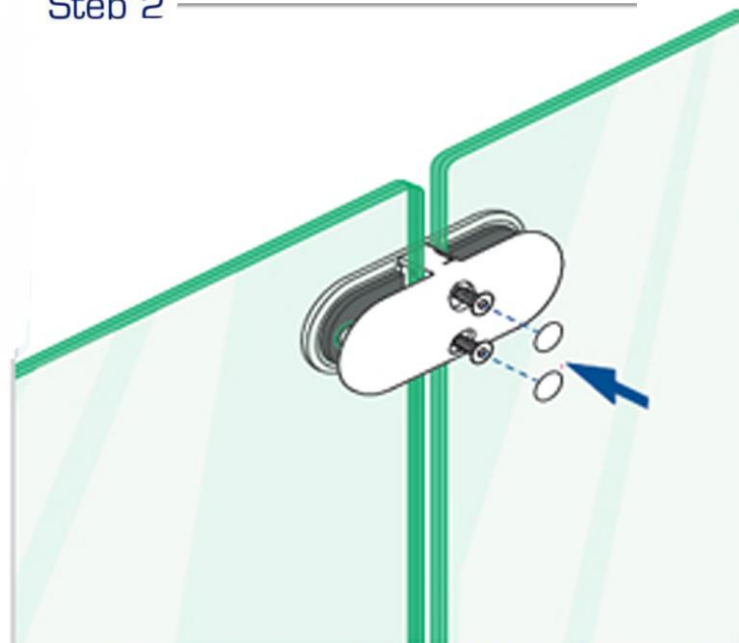


Installation Advice:

Step 1



Step 2



Step 1 – Model 5015 security pin used is sold separately

