





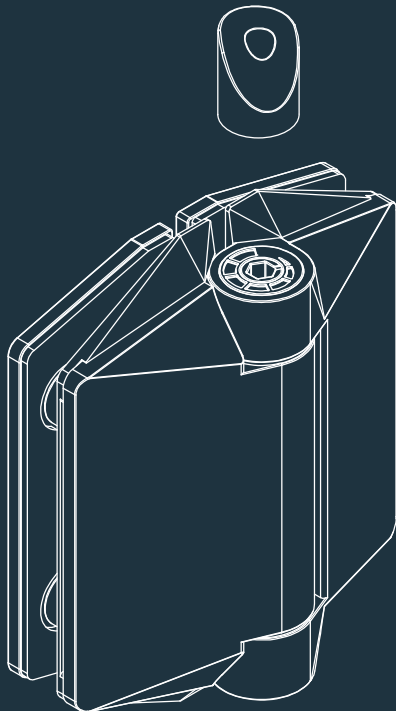
**SECURITY DOOR HINGE** AUTOMATICALLY  
CLOSES FOR SWIMMING POOLS  
**GLASS TO GLASS**  
Ref. **125GS**

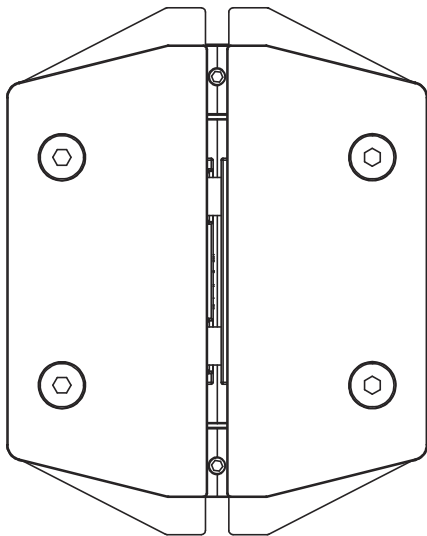
PACK OF TWO HINGES

**TECHNICAL FEATURES**

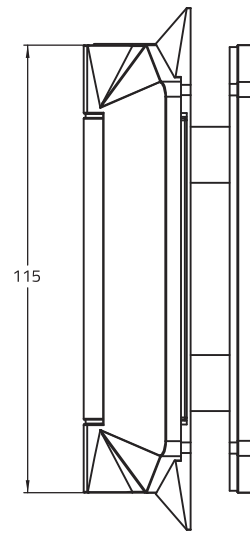
<b>Width</b>	107 mm
<b>Height</b>	134 mm
<b>Max. opening</b>	90°
<b>Materials</b>	Duplex stainless steel
<b>Application type</b>	Pool protection barrier - private/public
<b>Glass thickness</b>	10 > 10,76 mm [5.5.2 / 10] 12 > 12,76 mm [6.6.2 / 12]
<b>Width of the glass.</b>	900 mm
<b>Height of the glass.</b>	1 500 mm
<b>Max. weight</b>	45 kg
<b>Finishes</b>	Brushed stainless steel

- ▶ To be used with a security latch/catch bolt children proof
- ▶ Opened and closed 25 000 times (Tested 10 000 cycles)
- ▶ Resistant to temperatures from 14°F to 120°F
- ▶ Closing speed control (soft close system)

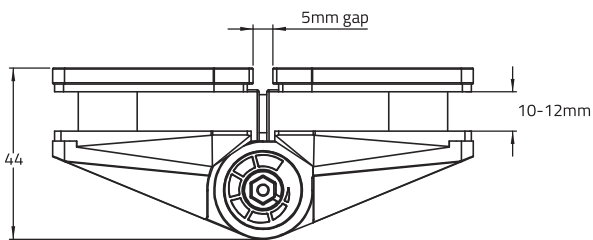




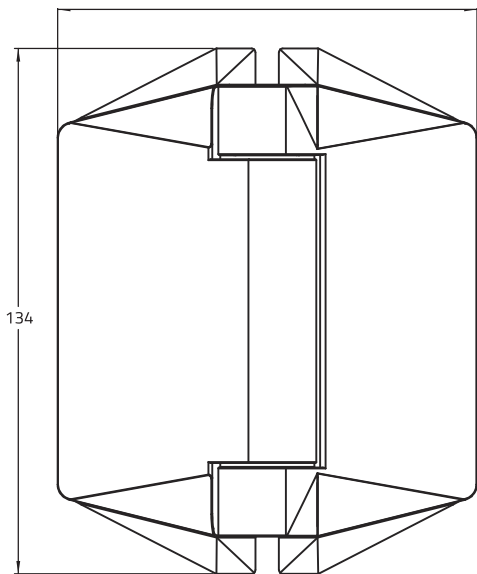
Back view



Side view

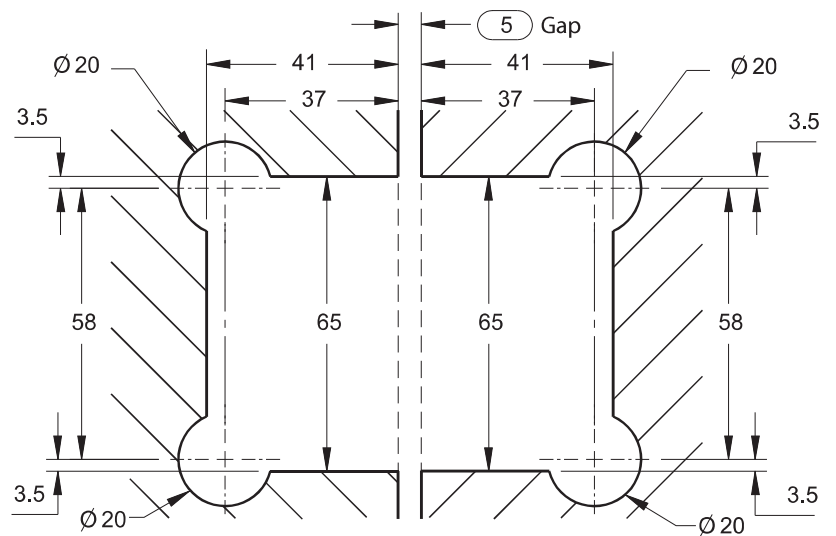


Top view



Front view

**PREPARATION OF THE GLASS**



CUTTING THE GLASS AT THE TOP AND BOTTOM  
(all dimensions are in mm)



**SECURITY DOOR HINGE** AUTOMATICALLY  
CLOSES FOR SWIMMING POOLS

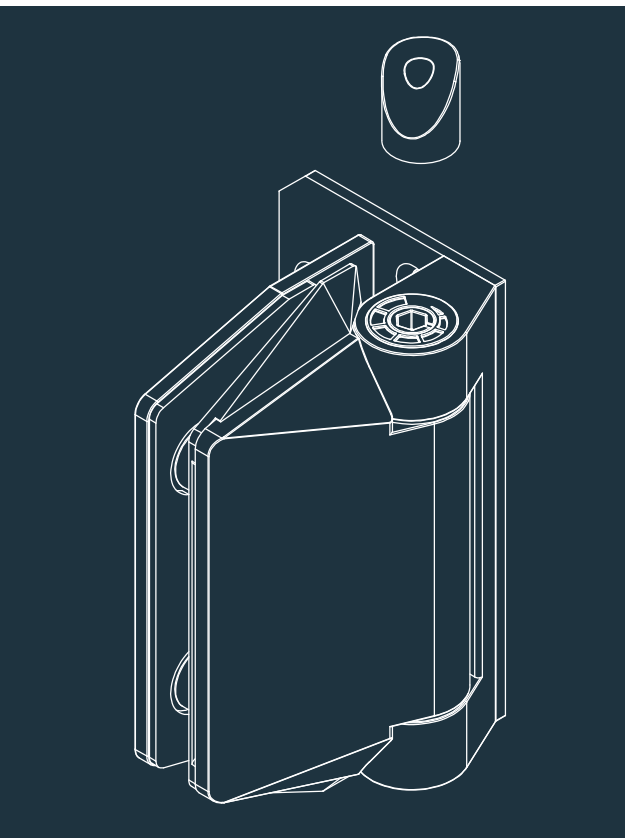
**GLASS TO WALL**

Ref. **125WS**

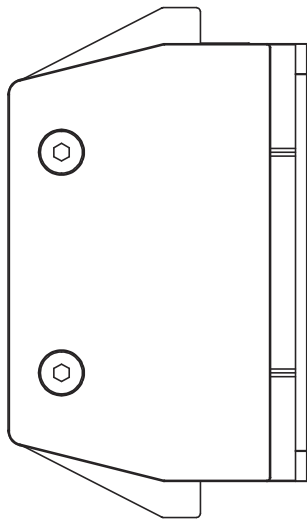
PACK OF TWO HINGE

**TECHNICAL FEATURES**

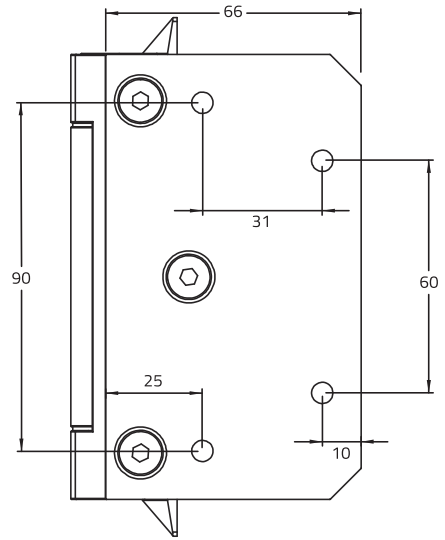
<b>Width</b>	75 mm
<b>Height</b>	134 mm
<b>Max. opening</b>	90°
<b>Materials</b>	Duplex stainless steel
<b>Application type</b>	Pool protection barrier - private/public
<b>Glass thickness</b>	10 > 10,76 mm [5.5.2 / 10] 12 > 12,76 mm [6.6.2 / 12]
<b>Width of the glass.</b>	900 mm
<b>Height of the glass.</b>	1 500 mm
<b>Max. weight</b>	45 kg
<b>Finishes</b>	Brushed stainless steel



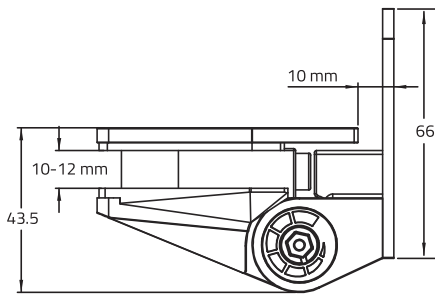
- ▶ To be used with a security latch/catch bolt children proof
- ▶ Opened and closed 25 000 times (Tested 10 000 cycles)
- ▶ Resistant to temperatures from 14°F to 120°F
- ▶ Closing speed control (soft close system)



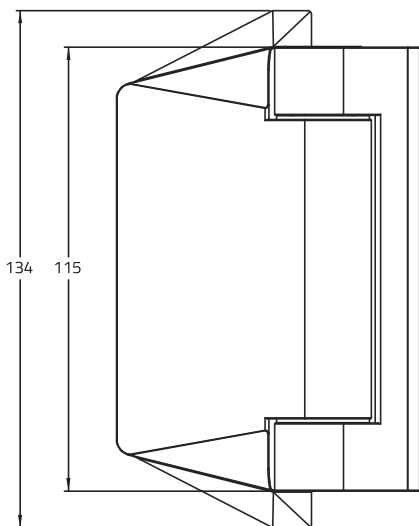
Back view



Side view

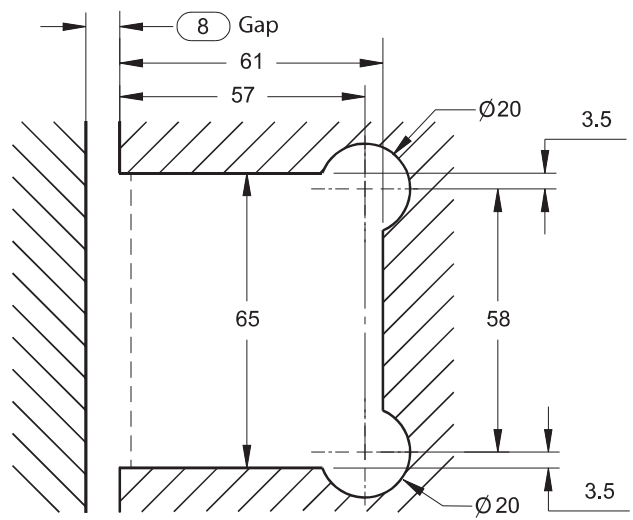


Top view



Front view

**PREPARATION OF THE GLASS**



CUTTING THE GLASS AT THE TOP AND BOTTOM  
(all dimensions are in mm)