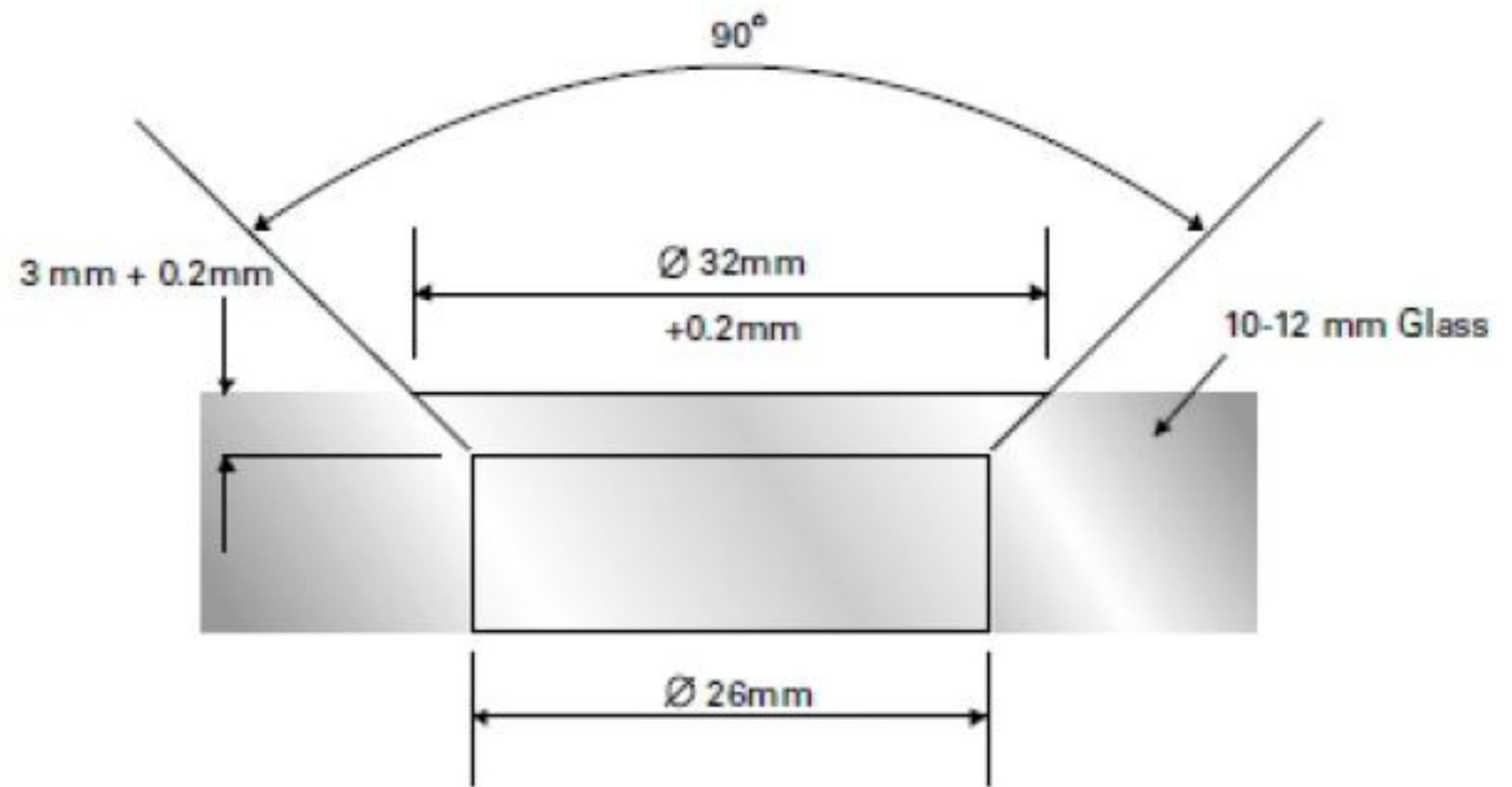


Countersunk holes



Drilled holes

