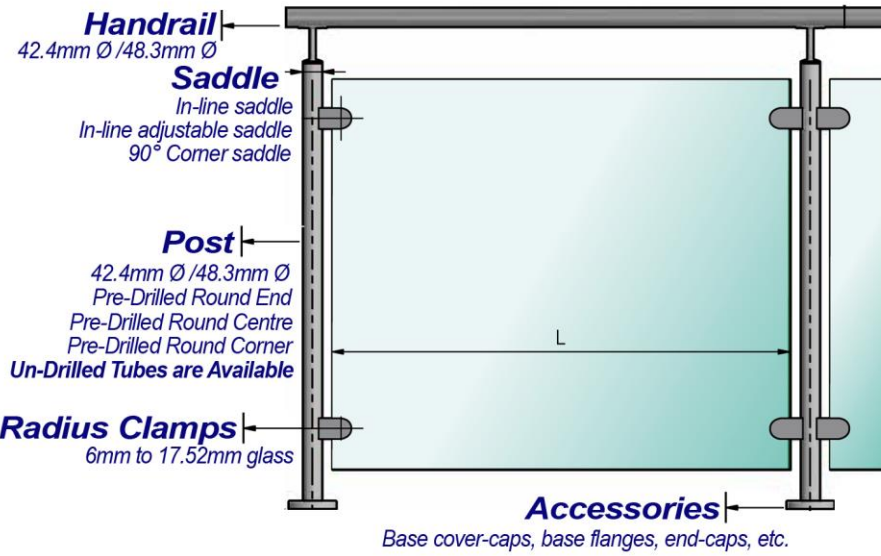


The perfect balustrade post system for projects based on round shapes that are elegant with minimalistic design.



Suitable for 6 - 17.52mm glass

Available in 304 and 316 grade satin stainless steel, suitable for indoor and outdoor use.

Please be advised:
If the drop is over 900mm, the recommended balustrade post safety height by British Building Regulations is 1100mm. To achieve the 1100mm recommended height, this requires;
Post + Saddle + Handrail

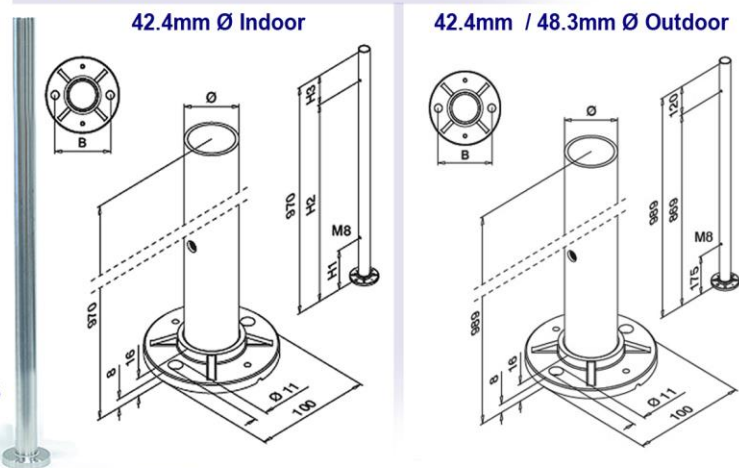
Featured Fittings & Accessories

Post Kits (Post with Clamps, inlays & fixing screws)

- Pre-Drilled Round End Post Kit with Clamps
(Post + 2x Clamps with rubber inlays + 2x Adjustable fixing screws)
- Pre-Drilled Round Center Post Kit with Clamps
(Post + 4x Clamps with rubber inlays + 4x Adjustable fixing screws)
- Pre-Drilled Round 90° Corner Post Kit with Clamps
(Post + 4x Clamps with rubber inlays + 4x Adjustable fixing screws)

Security Pin for Glass Clamps is available to buy separately

Posts



Post Attachments / Accessories

All and more are available to buy separately



Handrail & Accessories

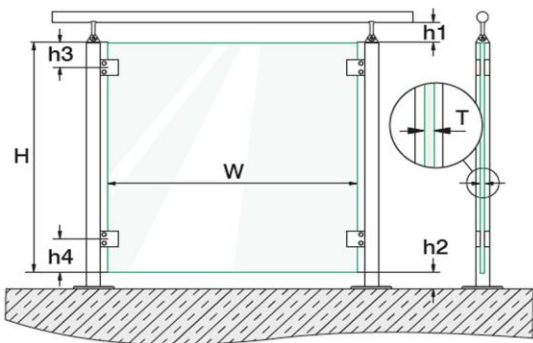
Stainless steel tube, 42.4 / 48.3mm Ø.



More related fittings & accessories are available

Glass Test Report

MOD: 20 / 21 / 22 / 24 / 26 / 28 / 42 Test setup



Dimensions (mm)		min.	max.
W	Glass width	500	See table
T	Glass thickness	See table	See table
H	Glass height	800	1000
h1	Handrail - top glass panel	10	50 without edge protection 100 with edge protection
h2	Floor - base glass panel	10	50 without edge protection 100 with edge protection
h3	Top glass panel - upper glass clamp	100 : MOD 20, 21, 22, 24, 26 50 : MOD 28 120 : MOD 42	150
h4	Lower glass clamp - base glass panel	100 : MOD 20, 21, 22, 24, 26 50 : MOD 28 120 : MOD 42	150

INDOOR

Glass clamps without security pin and without security plate.

MOD 20

Zamak 304



Flat or tube
Ø 33,7 mm
Ø 42,4 mm

Glass type	Mono / ESG-H*
T (mm)	8
W _{max} (mm)	500 - 1200

MOD 21

Zamak 304



Flat or tube
Ø 42,4 mm

Glass type	VSG / ESG*	
T (mm)	8,76	9,52
W _{max} (mm)	500 - 1200	500 - 1200

MOD 22

Zamak 304



Flat or tube
Ø 42,4 mm
Ø 48,3 mm

Glass type	VSG / TVG*		VSG / ESG*		Mono / ESG-H*	
T (mm)	8,76	9,52	8,76	9,52	8	10
W _{max} (mm)	500 - 1500	500 - 1500	500 - 1500	500 - 1500	500 - 1500	500 - 1500

MOD 24

Zamak 304



Flat or tube
Ø 48,3 mm

Glass type	VSG / SPG*				VSG / TVG*				VSG / ESG*				Mono / ESG-H*	
T (mm)	12,76	13,52	16,76	17,52	12,76	13,52	16,76	17,52	12,76	13,52	16,76	17,52	12	16
W _{max} (mm)	500 - 1500	500 - 1500	500 - 1500	500 - 1500	500 - 1500	500 - 1500	500 - 1500	500 - 1500	500 - 1600	500 - 1600	500 - 1600	500 - 1600	500 - 1600	500 - 1600

MOD 26

Zamak 304



Flat or tube
Ø 42,4 mm
Ø 48,3 mm

Glass type	VSG / TVG*				VSG / ESG*				Mono / ESG-H*			
T (mm)	8,76	10,76	11,52	12,76	8,76	10,76	11,52	12,76	8	10	12	
W _{max} (mm)	500 - 1400	500 - 1600	500 - 1600	500 - 1600	500 - 1400	500 - 1600	500 - 1600	500 - 1600	500 - 1400	500 - 1600	500 - 1600	

MOD 28

Zamak 304



Flat or tube
Ø 48,3 mm

Glass type	VSG / SPG*		VSG / TVG*				VSG / ESG*				Mono / ESG-H*			
T (mm)	12,76	8,76	9,52	10,76	11,52	12,76	8,76	9,52	10,76	11,52	12,76	8	10	12
W _{max} (mm)	500 - 1800	500 - 1800	500 - 1800	500 - 1800	500 - 1800	500 - 1800	500 - 1800	500 - 1800	500 - 1800	500 - 1800	500 - 2000	500 - 1800	500 - 1800	500 - 1800

OUTDOOR

Possible glass width for outdoor use depending on wind factor, glass type and glass thickness without security pin and without security plate.

MOD 22

316



Flat or tube
Ø 42,4 mm
Ø 48,3 mm

F (Force)	Glass type	VSG / TVG*		VSG / ESG*		Mono / ESG-H*	
	T (mm)	8,76	9,52	8,76	9,52	8	10
2,20 kN/m ²	W _{max} (mm)	-	-	-	-	800	800
1,60 kN/m ²		-	-	500	500	1000	1400
1,40 kN/m ²		-	-	500	500	1000	1400
1,04 kN/m ²		500	500	800	800	1400	1500
1,00 kN/m ²		500	500	1000	1000	1400	1500
0,64 kN/m ²		800	800	1200	1200	1500	1500

MOD 24

316



Flat or tube
Ø 48,3 mm

F (Force)	Glass type	VSG / SPG*				VSG / TVG*				VSG / ESG*				Mono / ESG-H*	
	T (mm)	12,76	13,52	16,76	17,52	12,76	13,52	16,76	17,52	12,76	13,52	16,76	17,52	12	16
2,20 kN/m ²	W _{max} (mm)	500	500	800	800	500	500	1000	1000	500	500	1000	1000	1400	1600
1,60 kN/m ²		500	500	1000	1000	800	800	1200	1200	800	800	1200	1200	1500	1600
1,40 kN/m ²		800	800	1000	1000	800	800	1200	1200	800	800	1400	1400	1600	1600
1,04 kN/m ²		800	800	1200	1200	1000	1000	1500	1500	1200	1200	1600	1600	1600	1600
1,00 kN/m ²		1000	1000	1200	1200	1000	1000	1500	1500	1200	1200	1600	1600	1600	1600
0,64 kN/m ²		1200	1200	1500	1500	1500	1500	1500	1500	1500	1500	1600	1600	1600	1600

MOD 26

316



Flat or tube
Ø 42,4 mm
Ø 48,3 mm

F (Force)	Glass type	VSG / TVG*				VSG / ESG*				Mono / ESG-H*		
	T (mm)	8,76	10,76	11,52	12,76	8,76	10,76	11,52	12,76	8	10	12
2,20 kN/m ²	W _{max} (mm)	-	-	-	500	500	800	800	800	800	1000	1400
1,60 kN/m ²		-	500	500	800	800	800	800	1000	1000	1400	1400
1,40 kN/m ²		-	800	800	800	800	1000	1000	1200	1200	1400	1400
1,04 kN/m ²		500	800	800	1000	800	1000	1000	1400	1400	1400	1400
1,00 kN/m ²		500	800	800	1000	800	1200	1200	1400	1400	1400	1400
0,64 kN/m ²		800	1000	1000	1200	1200	1400	1400	1400	1400	1400	1400

MOD 28 - Glass height = 800 mm

316



Flat or tube
Ø 42,4 mm
Ø 48,3 mm

F (Force)	Glass type	VSG / SPG*		VSG / TVG*			VSG / ESG*					Mono / ESG-H*			
	T (mm)	12,76	8,76	9,52	10,76	11,52	12,76	8,76	9,52	10,76	11,52	12,76	8	10	12
2,20 kN/m ²	W _{max} (mm)	-	-	-	700	700	1000	650	650	950	950	1100	1000	1500	1700
2,00 kN/m ²		-	-	-	750	750	1050	700	700	1000	1000	1300	1050	1600	1800
1,60 kN/m ²		-	-	-	850	850	1200	800	800	1100	1100	1300	1200	1600	1800
1,40 kN/m ²		-	600	600	950	950	1300	850	850	1200	1200	1500	1250	1600	1800
1,04 kN/m ²		-	700	700	1100	1100	1300	1000	1000	1400	1400	1500	1500	1700	1800
1,00 kN/m ²		1100	700	700	1100	1100	1300	1000	1000	1400	1400	1500	1500	1700	1800
0,70 kN/m ²		1100	900	900	1100	1100	1400	1050	1050	1500	1500	1600	1550	1700	1800

MOD 28 - Glass height = 1000 mm

316



Flat or tube
Ø 42,4 mm
Ø 48,3 mm

F (Force)	Glass type	VSG / SPG*		VSG / TVG*			VSG / ESG*					Mono / ESG-H*			
	T (mm)	12,76	8,76	9,52	10,76	11,52	12,76	8,76	9,52	10,76	11,52	12,76	8	10	12
2,20 kN/m ²	W _{max} (mm)	-	-	-	700	700	950	650	650	950	950	1100	1000	1500	1700
2,00 kN/m ²		-	-	-	700	700	1000	700	700	1000	1000	1200	1050	1600	1800
1,60 kN/m ²		-	-	-	800	800	1100	800	800	1100	1100	1200	1200	1600	1800
1,40 kN/m ²		-	600	600	900	900	1300	850	850	1200	1200	1400	1250	1600	1800
1,04 kN/m ²		-	700	700	1050	1050	1300	1000	1000	1300	1300	1400	1500	1700	1800
1,00 kN/m ²		-	700	700	1050	1050	1300	1000	1000	1300	1300	1400	1500	1700	1800
0,70 kN/m ²		-	900	900	1050	1050	1400	1100	1100	1400	1400	1500	1550	1700	1800