

**EASY GLASS<sup>®</sup>**  
**BASE GLASS CLAMP**  
**MOD 6000**

Testing conducted by/at:

Q-railing Europe GmbH & Co.KG

Marie-Curie-Strasse 8-14

46446 Emmerich am Rhein

Germany

## 1. Introduction

This report describes tests conducted at the test site of Q-railing Europe GmbH & Co.KG on Easy Glass® Base Glass Clamp MOD 6000, assembled with various dimensions as shown.

## 2. Test arrangement

Various barrier specimens were mounted on to a rigid concrete structure with a test rig from steel with sufficient strength to withstand loads applied to it.

For each test, load was applied to the glass in a hand railing height.

Load was measured with a load cell.

Laser distance sensors were used to measure the deflection of the barrier from its neutral position.

## 3. Materials

### 1. Base glass clamps

Article-No. 14.6000.000.12 Easy Glass Base Glass Clamp MOD 60

### 2. Anchoring

Article-No. 19.4412.010.14 Highbond Anchor FHB II-A-L M12x120/10

### 3. Rubber inlay

Article-No. 19.5062.018.00 Rubber Inlay EPDM 80° shore A

### 4. Glass

17,52 mm (8-1,52-8) laminated and toughened

15 mm monolith glass

19 mm monolith glass

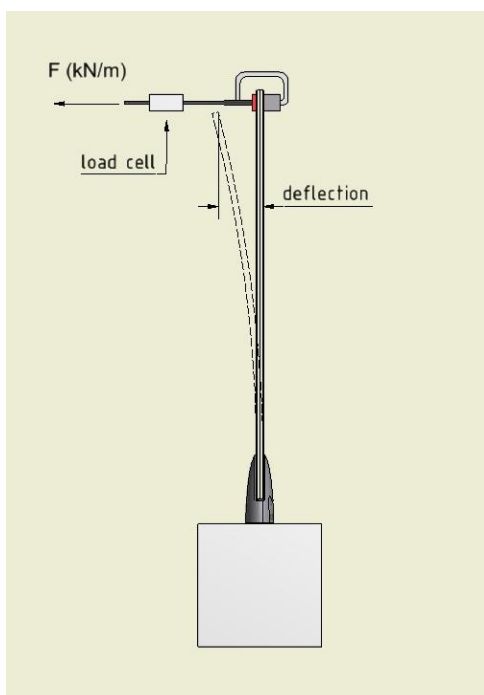
#### Technical Report

EASY GLASS® Base Glass Clamp  
MOD 6000, rev.7  
Date: 26-02-2013

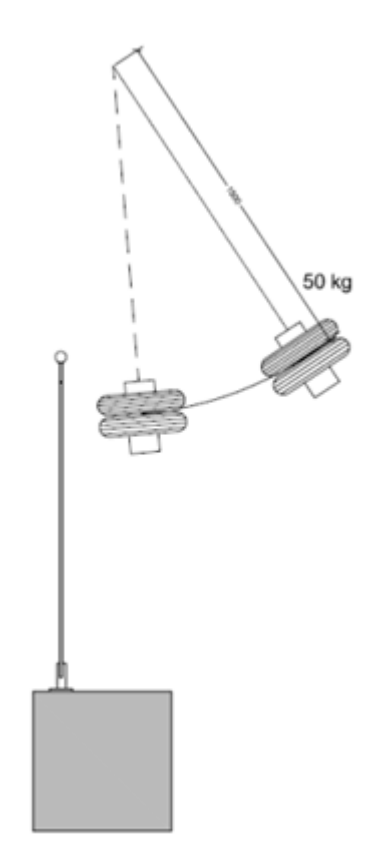
#### Q-railing GmbH & Co. KG

Marie-Curie-Straße 8-14 | D-46446 | Emmerich am Rhein | Germany  
T +49 (0) 2822-91569-0 | F +49 (0) 2822-91569-70  
E sales@q-railing.de | www.q-railing.com

## 4. Arrangement of test assembly

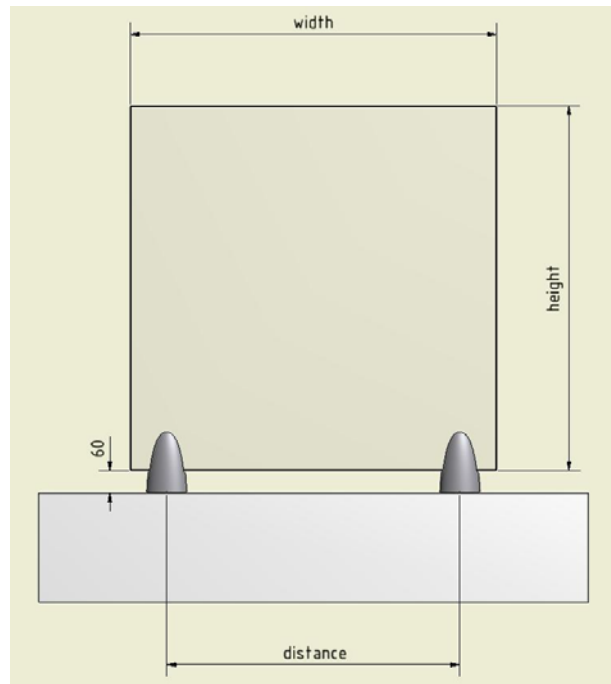


Line Load

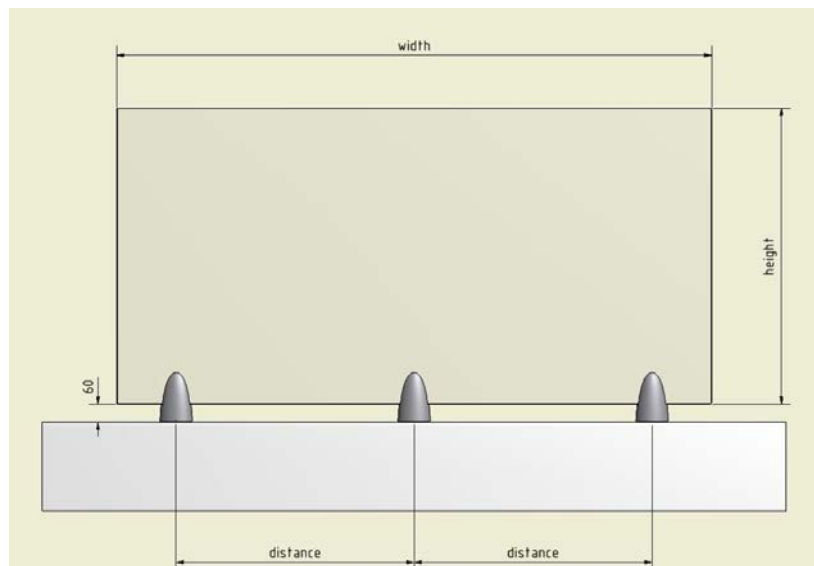


Impact Test

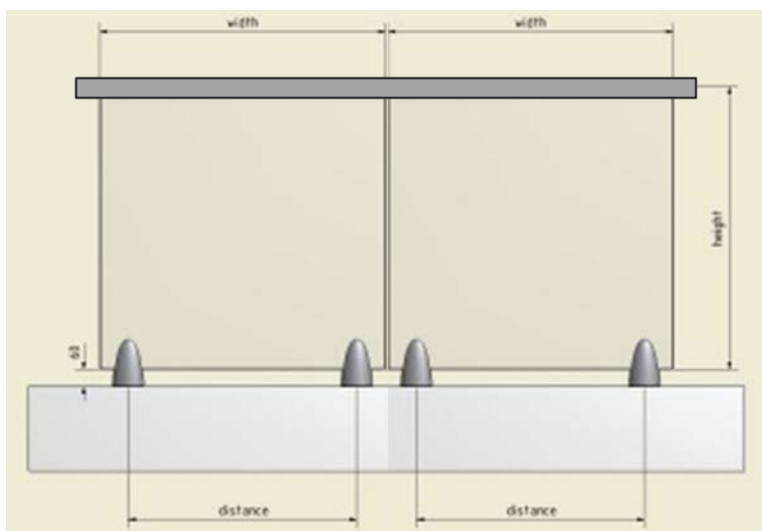
Test assembly 1: -2 x Base Glass Clamp MOD 6000-



Test assembly 2: -3 x Base Glass Clamp MOD 6000-




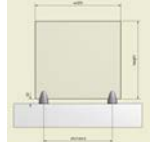

Test assembly 3:



**Technical Report**  
EASY GLASS® Base Glass Clamp  
MOD 6000, rev.7  
Date: 26-02-2013

**Q-railing GmbH & Co. KG**  
Marie-Curie-Straße 8-14 | D-46446 | Emmerich am Rhein | Germany  
T +49 (0) 2822-91569-0 | F +49 (0) 2822-91569-70  
E sales@q-railing.de | www.q-railing.com

## 5. Test results

Test assembly	Glass t mm	Glass n* x w x h mm	Adapter c.c** mm	Barrier height mm	Line Load Test					Pendulum Test	Test assembly
					0,36 kN/m	0,50 kN/m	0,74 kN/m	1,00 kN/m	1,50 kN/m	fall height 700	
					deflection at top of glass						
1	17,52	1x1200x1000	3x500	1000	23,05	34,32	56,53	-	-	passed	
	17,52	1x1000x1000	3x400	1000	18,74	24,42	43,26	-	-	passed	
2	17,52	1x1000x1000	2x800	1000	28,64	41,88	63,39	-	-	passed	
	19	1x1100x1000	3x500	1000	16,02	23,96	37,46	52,25	-	passed	
3	15	2x1100x1000	4x800	1000	16,54	24,67	38,91	50,50	-	passed	

\* n = number of panels

\*\* c.c = center to center distance

### Comments:

The loading was applied to the top of the glass at a height of 1.06 m respectively above finished floor level.

### Impact test:

The impact test (50 kg mass) was executed on the glass panel  
The test passed for the fall height of 700mm and the glass did not break.

## 6. General overview line load test



**Technical Report**  
EASY GLASS® Base Glass Clamp  
MOD 6000, rev.7  
Date: 26-02-2013

**Q-railing GmbH & Co. KG**  
Marie-Curie-Straße 8-14 | D-46446 | Emmerich am Rhein | Germany  
T +49 (0) 2822-91569-0 | F +49 (0) 2822-91569-70  
E sales@q-railing.de | www.q-railing.com