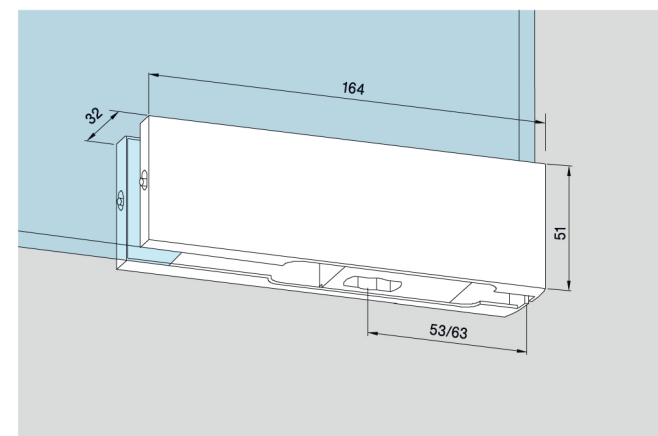


## PATCH FITTINGS

Shown with 10 mm glass. When used with 8 and 12 mm glass the measurements change accordingly.

Accessories for additional versions with 8 or 10 mm glass see page 132.



### PT 10 bottom patch

with insert for DORMA floor spring spindle, or round pivot 14 mm Ø

**Art. No. 03.100**

Not illustrated:

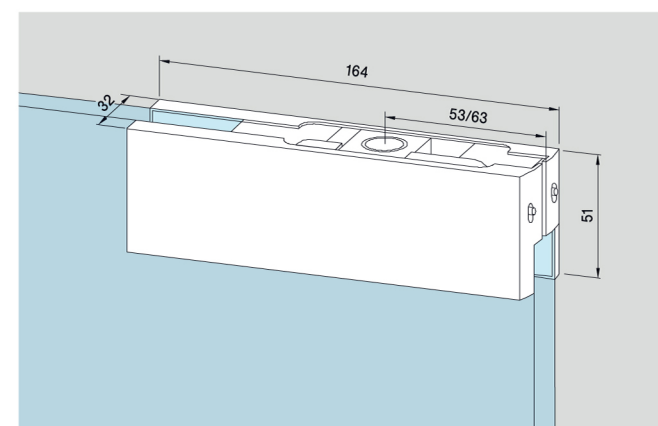
For 12 mm glass thickness, only in satin stainless steel

**Art. No. 03.860**

For 15 and 19 mm glass thicknesses. Please specify with order.

**Art. No. 03.280**

Weight in kg:  
aluminium 0.564  
brass 0.680  
stainless steel 0.662



### PT 20 top patch

with plastic socket for top pivot 15 mm Ø

**Art. No. 03.110**

Not illustrated:

For 12 mm glass thickness, only in satin stainless steel

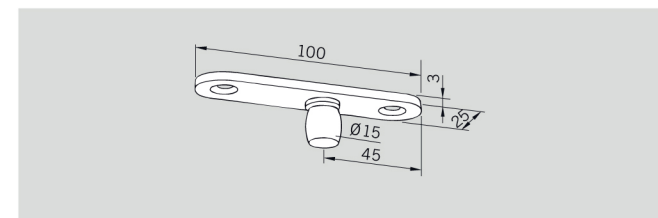
**Art. No. 03.861**

For 15 and 19 mm glass thicknesses. Please specify with order.

**Art. No. 03.281**

Weight in kg:  
aluminium 0.477  
brass 0.593  
stainless steel 0.575

## TOP BEARING, PIVOTS



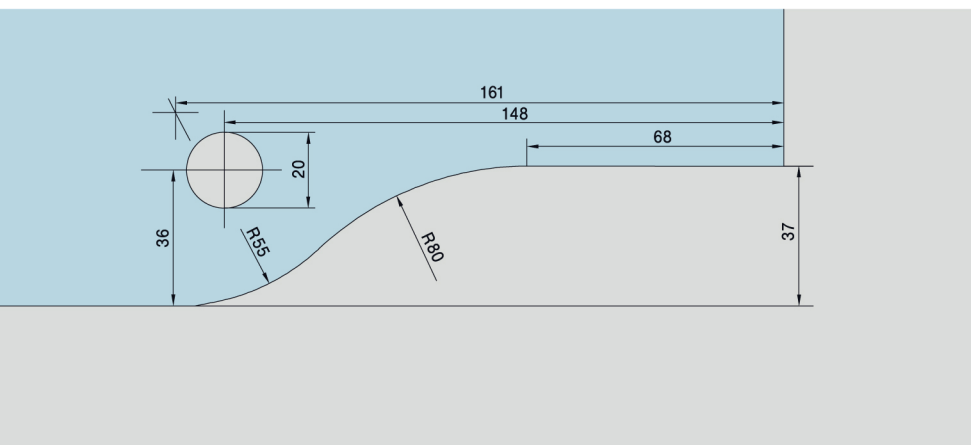
### PT 24 pivot

15 mm Ø, with fixing plate, material thickness 3 mm, to screw **on the ceiling**

**Art. No. 01.123**

Weight in kg:  
aluminium 0.042  
stainless steel 0.074

## GLASS PREPARATION FITTINGS



**PT 10, PT 20, PT 22, PT 29, PT 30**

Top and bottom patches, overpanel patch  
Art. No. 03.100, 03.110, 03.114, 03.120, 03.212, 03.280, 03.281, 03.282, 03.420, 03.421

**Scale 1 : 2**