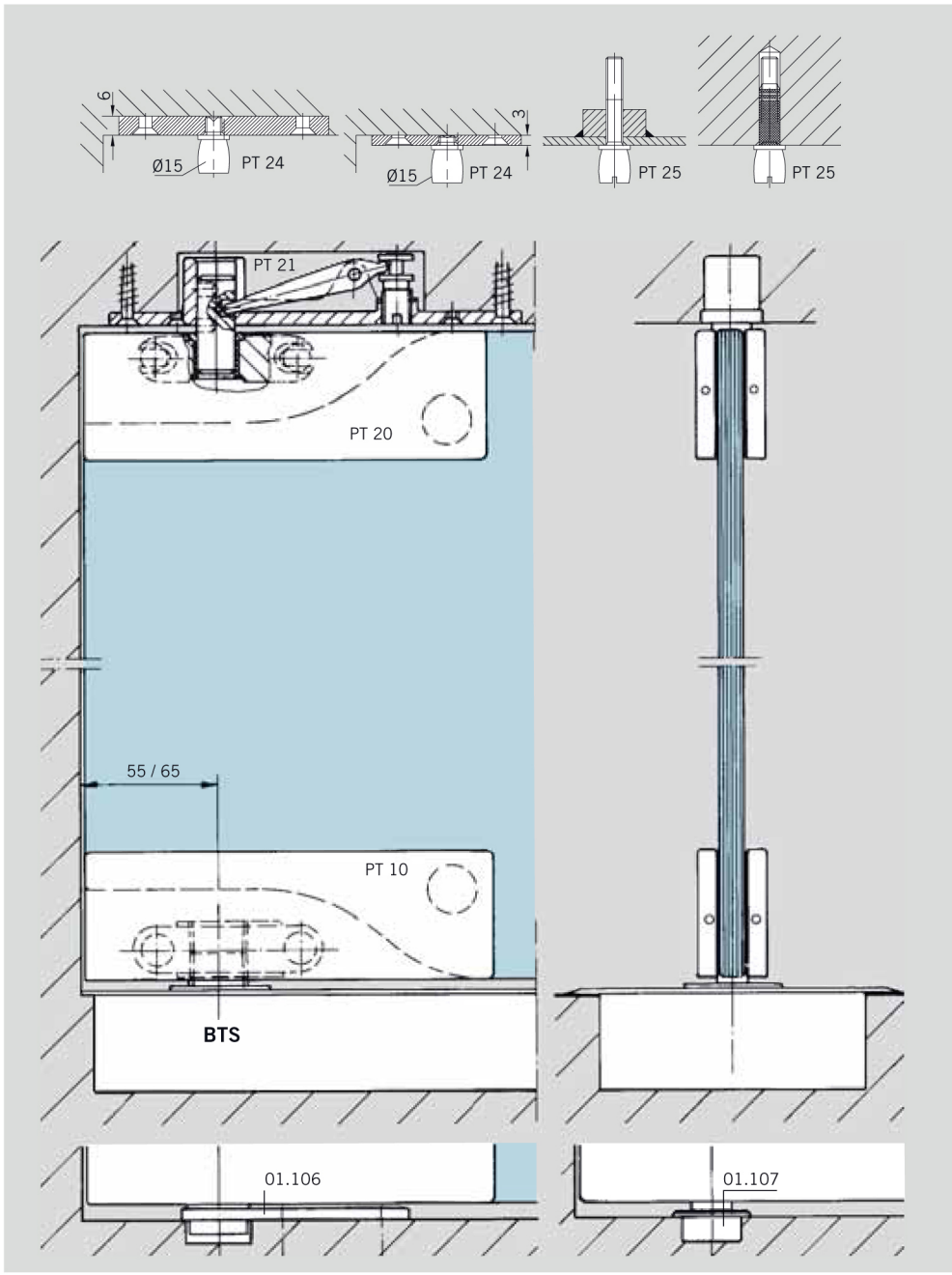


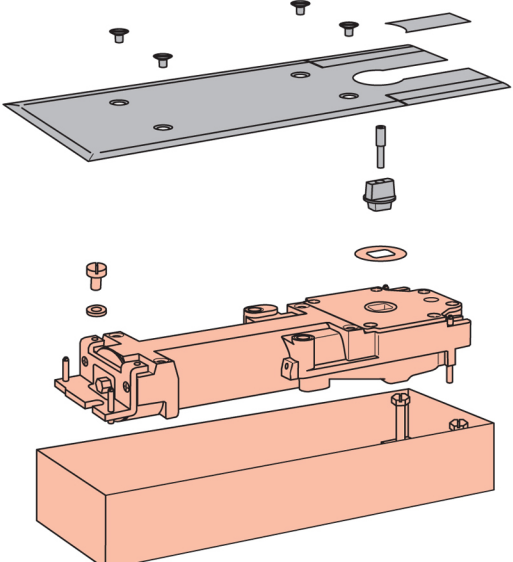
FIXING OF PIVOTS AND TOP CENTRES



Fixing of top pivots and top centres for PT 20.

Fixing of floor springs, pivot bearings for PT 10.

DORMA BTS 75 V



Specification text

Universal floor spring with adjustable closing force, tested and approved to EN 1154, size 1 – 4, corrosion class 4, non-handed unit suitable for LH, RH and double action doors, with closing action operational from approx. 175°. With hydraulically fully controlled closing cycle, adjustable closing speed with two independent valves, and mechanical backcheck. Cover plate secured to floor spring body.

Special models

- 90° hold open
- 105° hold open

Accessories

- Spindle
 - standard
 - ... mm extension
 - special design ...
- Universal cover plate 1.5 mm thick
 - stainless steel
 - satin brass
- Sealing compound

Make: DORMA BTS 75 V