

Simon

The Simon Vent-A-Matic is a durable and effective range of in-glass ventilators that can solve most ventilation requirements. Available in static and rotary formats, it meets all modern gas regulations. Suitable for double and single glazing the Vent-A-Matic is still the market leader in its field.

Vent-A-Matic

Quality Static Ventilators

- Design for use where continuous ventilation is mandatory
- Marked with free air space opening to conform with Gas Board recommendations
- Models PBS, JG, DGS/PBS and DGS/JG equipped with storm guard as standard
- Model PB combines low cost, double louvres, and high security
- Model DGS/JG and DGS/PBS for double glazing



R.W. Simon Limited System Works, Hatchmoor Industrial Estate,
Torrington, Devon EX38 7HP United Kingdom
Tel: 01805 623721 Fax: 01805 624578 E-mail: info@rwsimon.co.uk
Web: www.rwsimon.co.uk



Simon
Air Management
Systems

Vent-A-Matic

Quality Glass Static Ventilators

Continuous Models PBS, JG, PB, DGS/JG, DGS/PBS

Description

Simon Vent-A-Matic static ventilators are available in various model sizes. The PBS and JG units are both equipped with an integral stormguard as standard, to reduce draft. The PB is a low cost double louvered model, security proof and requires a glass aperture of 164mm for fitting. The DGS/JG and DGS/PBS are designed for fitting to double glazed units of 12-32mm unit thickness

Application

Simon Vent-A-Matic static ventilators are designed for use where continuous ventilation is mandatory. A choice of round or square louvered models are available and these are ideal for any room fitted with a gas or solid fuel appliance. They are particularly useful for open fires and woodburning stoves, providing a continuous supply of fresh air to the combustion process and therefore alleviating the build up of harmful gases. The efficiency of the appliance is also improved, thus reducing overall fuel costs.

MODEL	APPLICATION
PBS	All applications- will fit sliding sash windows
JG	All applications- square louvered design
PB	All applications- low cost
DGS/JG, DGS/PBS	Hermetically sealed units

Performance

Simon Vent-A-Matic air flow performance.

Ventamatic Model	Volume (litres/second)	Equivalent Area (mm ²)
JG	6.1	7,757
DGS/JG	6.13	7,796
PBS	7.78	9,896
DGS/PBS	7.78	9,896
PB	5.58	7,097

Manufacture

Injection moulded components made from UV stabilised translucent polystyrene to avoid discolouration. Ultrasonically welded and assembled in clean-room conditions. Produced under ISO 9001 quality systems.

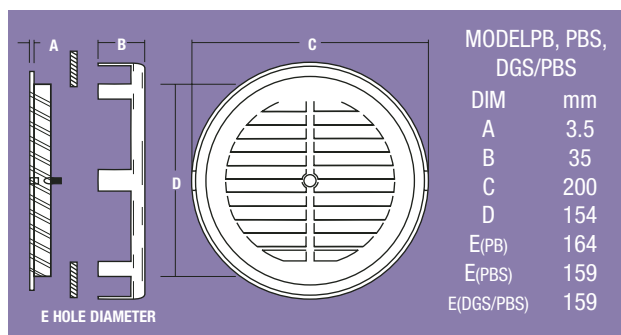
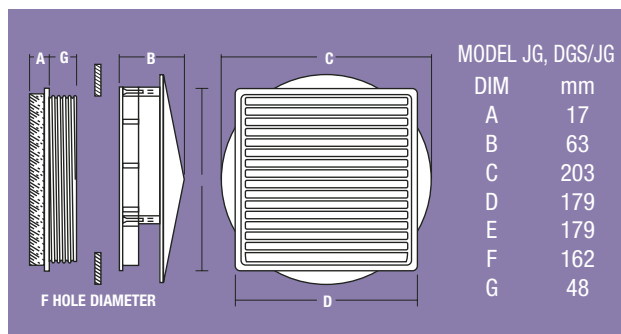
Airflow rates quoted are for when the units are fitted in accordance with manufacturers recommendations. Tested in accordance with BS EN 13141-1:2004

R.W. Simon Limited System Works, Hatchmoor Industrial Estate,
Torrington, Devon EX38 7HP United Kingdom
Tel: 01805 623721 Fax: 01805 624578 E-mail: info@rwsimon.co.uk

Sitework

All the above models are designed for simple two part fitting into a glass aperture. For additional security and weather tightness on the JG model, a little clear sealant can be applied to the external glazing ring if required.

The PB, PBS and DGS/PBS models are secured by a central brass bolt from the inside, which cannot be removed from the outside. Important: Hermetically sealed units must be fitted by the double glazing manufacturer. Request the fitting of a Vent-A-Matic prior to manufacture and installation of double glazing.



Aperture Adapters

Adapters to adapt 180mm up to 200mm dia. holes are available as an extra.



Simon
Air Management
Systems