

PRIMA

Wall Mount Hinge

Cat No. PPH03

Edge Mount Preferred Method (even with top of door)Page 4G-16
 Edge Mount Alternate Method (even with top of door)Page 4G-17

*Maximum Door Capacities	5/16" (10mm) Glass Weight	3/8" (10mm) Glass Width	3/8" (10mm) Glass Weight	3/8" (10mm) Glass Width
Using 2 Hinges	100 lbs.(46 kg)	31"(787mm)	100 lbs.(46 kg)	31"(787mm)

***NOTE:** Do not exceed either maximum weight or width when choosing proper quantity of hinges.

Important Information:

Template Options: The Prima Wall Mount PPH03 Hinge offers two template options, depending upon the capabilities of the temperer (see lower left of this page). The Preferred Method allows a full vertical seal along the hinge side, the Alternate Method leaves a short leg of glass, thus not allowing a full length vertical seal.

Optional Pivot Pins: Optional 5" Pivot Pins (Cat. No. P1VP1N) are sold as a set, one pin for the top hinge and one pin for the bottom hinge. These 5" offset Pivot Pins allow the installer to adjust the closing position of the door 5" inwards or outwards.

Specifications:

Glass Sizes: 5/16" (8mm) to 3/8" (10mm) thick tempered safety glass

Construction: Solid brass

Closing Type: Self-centering when within 15° of closed position

Cutout Required

Includes: Gaskets, screws and template

Use of Gaskets:

For 5/16"(8mm) Glass: Use one thick gasket and one thin gasket on each side

For 3/8"(10mm) Glass: Use one thick gasket on each side

Recommendations:

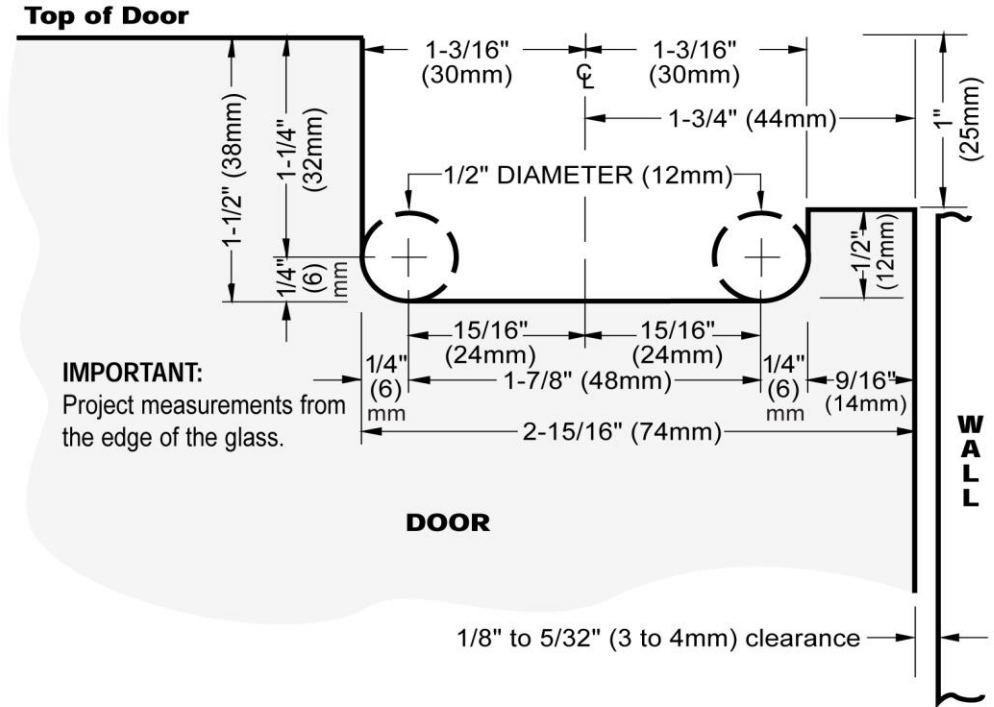
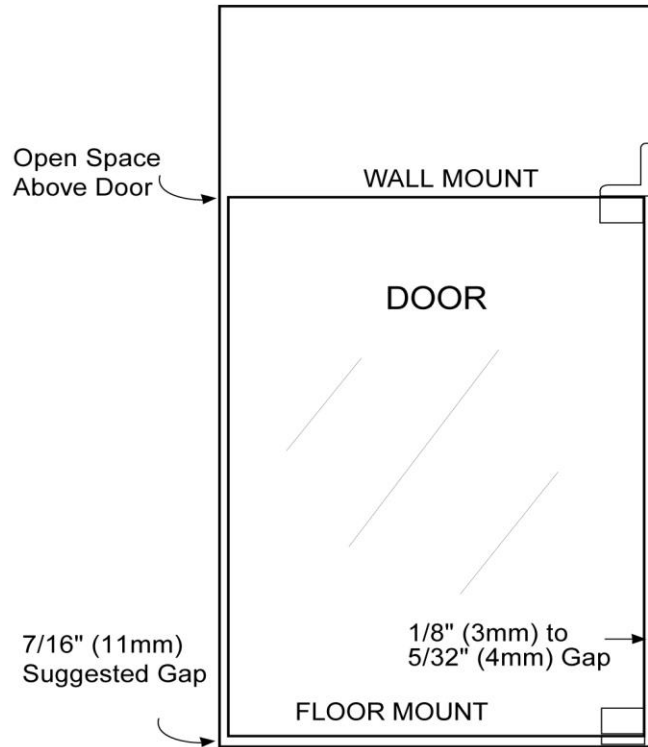
For public safety, we recommend the use of only tempered safety glass. Do not use power tools when installing these hinges.

Maintenance Guidelines:

- Never use an abrasive cleaner on the hardware. Many of the components are coated with a clear lacquer that will be irreparably damaged if subjected to harsh, abrasive chemicals. Advise your customer that drying the hardware with a clean, soft towel on a daily basis is the best way to maintain the hardware. If mineral deposits build-up, mix a couple of drops of a mild liquid soap (such as Ivory or a similar product) into a cup of warm water. Using a soft, non-abrasive cloth, clean the hardware. Rinse thoroughly with clean, warm water and dry.



C.R. LAURENCE CO., INC.
PROFESSIONAL QUALITY



PRIMA

Wall Mount Hinge

CAT. No. PPH03

Wall Mount Alternate Method (Even with top of door)

