

RTS 87
RTS 80EMB
RTS 80FLB

Transom concealed door closers

dormakaba RTS 87, RTS 80EMB and RTS 80FLB Transom Closers offer the ideal solution for double action and single action doors where floorsprings cannot be considered. With concealed fittings these units also offer ideal solutions for situations where reduced ligature is a requirement.

The RTS 87 Transom Closer is a power adjustable unit size EN1 to EN4 that allows fine on site tuning of the closing force to ensure full and correct closure of the door whilst ensuring opening forces are kept to a minimum allowing compliance with Approved Document M and BS8300. With positive Centering through its Cam Mechanism fine adjustment of the neutral position can also be made with the drive arm fitted within the door leaf ensuring correct door alignment and performance.

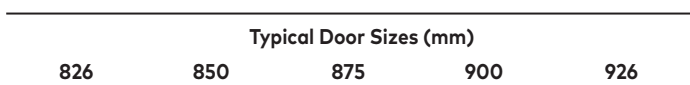
The RTS 87H is exactly as the RTS 87 but with speed control valves operating between 175 degrees to 70 degrees and 70 degrees to 0 degrees. The 175 -70 degree adjustment allows the unit to be adjusted over the initial closing when door is opened beyond 70 degrees, this feature is suitable in high traffic areas where the doors cannot be held open and need to remain closed when not in use. A reduced closing speed from the initial opening angle down to 70 degrees allows more time for traffic to pass through the door before the door reaches 70 degrees where the second adjustable valve will control the closing speed.

The RTS 87 is CE Marked to BS EN1154 and Certifire Approved for use on 1 hour fire doors. Please check Certifire Certificate for suitable Door Thickness, (this ensures the most up to date test evidence can be considered).

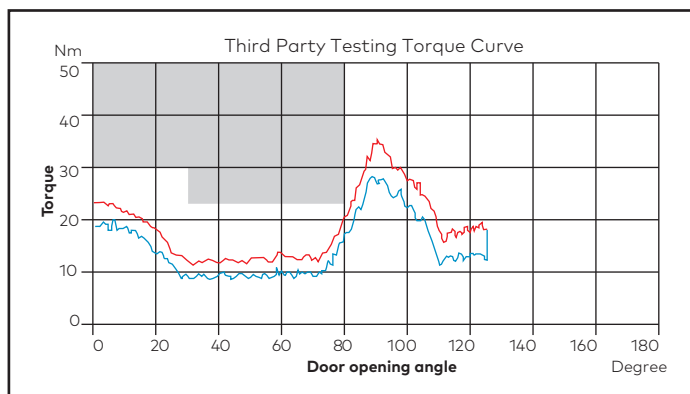


Certifire Approved CF127 for timber fire doors for 1 Hour.

RTS 87 Opening Forces adjusted to EN3 (minimum for fire door)



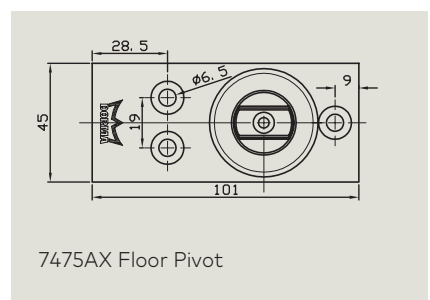
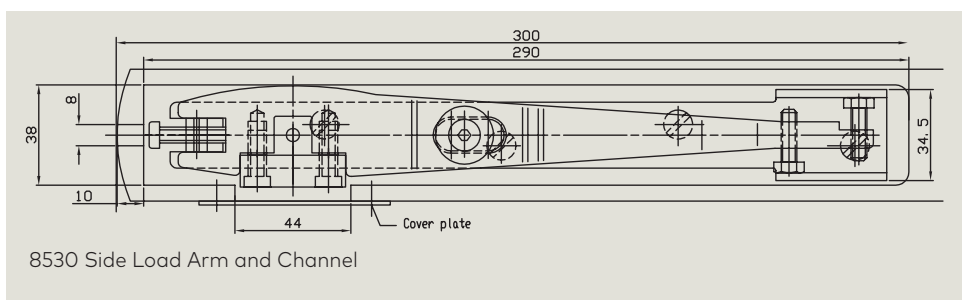
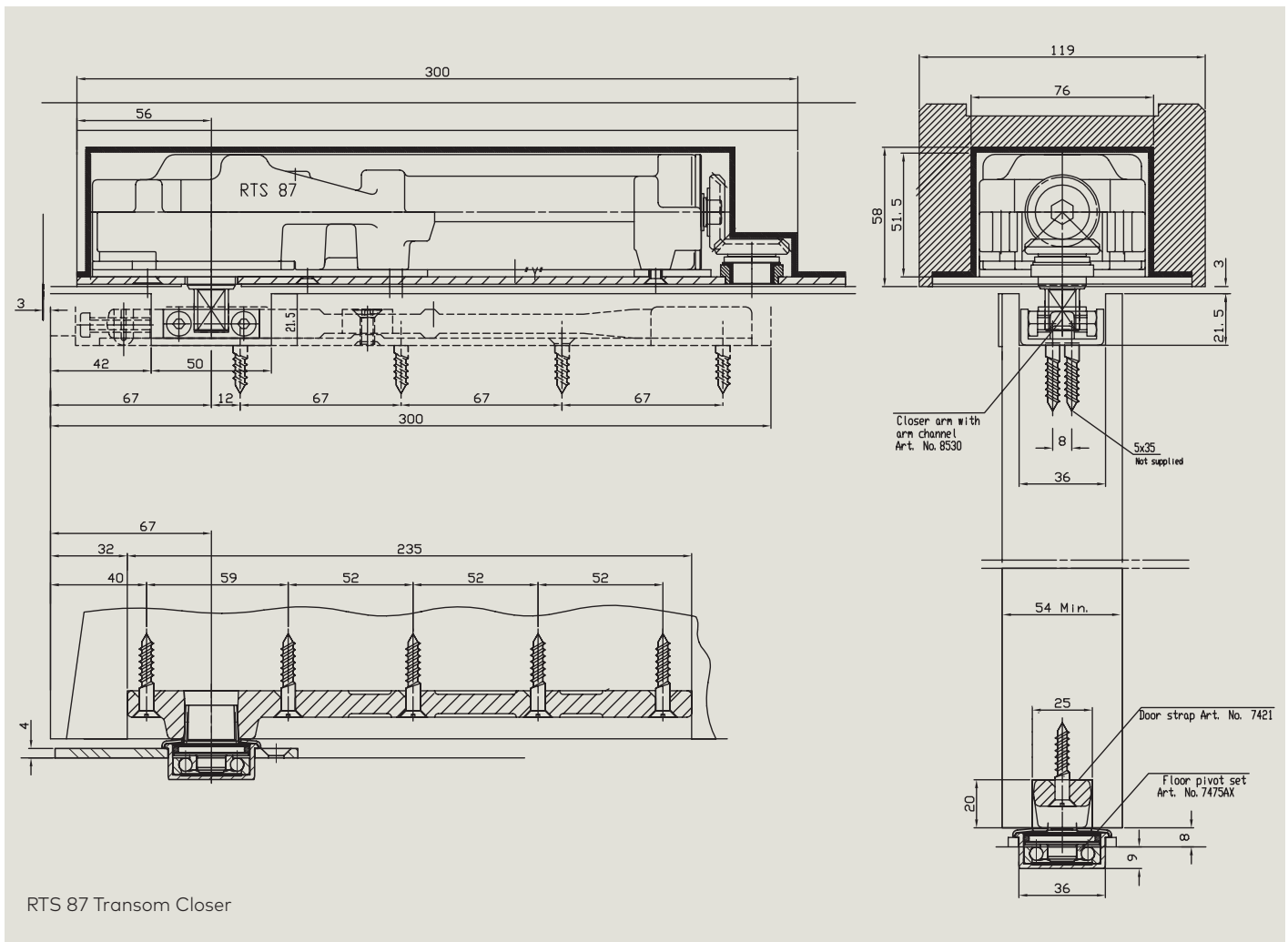
Minimum achievable door width at EN3 = 800 mm



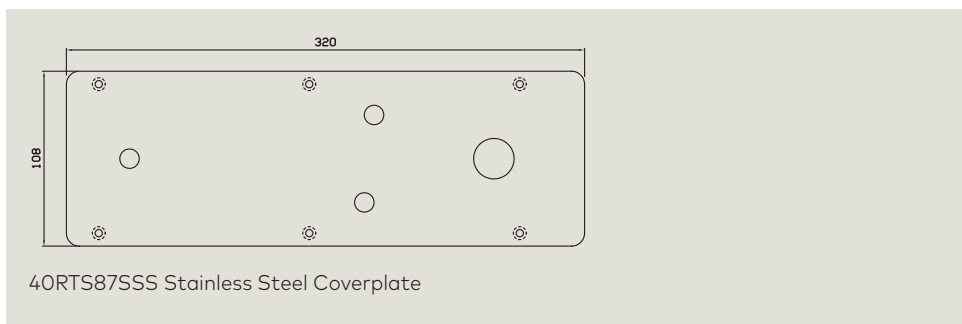
Technical Data		RTS 87	RTS 87H
EN Power Size		EN 1-4	EN 1-4
Maximum Door width		≤ 1100 mm	≤ 1100 mm
Adjustable Power Size		●	●
Independent Valve Adjustable Closing Speed 175° - 15°		●	
Independent Valve Adjustable Latch Speed 15° - 0°		●	
Independent Valve Adjustable Closing Speed 175° - 70°			●
Independent Valve Adjustable Latch Speed 70° - 0°			●
Mechanical Backcheck		●	●
Double Action and Single Action Doors		●	●
Universal Non Handed Unit		●	●
Minimum door width where unit will exert 30N opening force when adjusted to EN3 (min. for fire doors)		800 mm	800 mm
Fixing plate dimensions (& body) in mm	Length	321 (300)	321 (300)
	Width	108 (72)	108 (72)
	Height	55	55
Weight in kg		5.2	5.2
Door Closer tested to BS EN1154		●	●
CE Marked		●	●
Certifire Approved		●	●



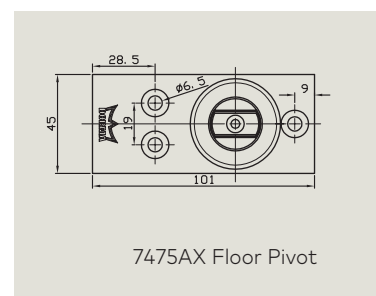
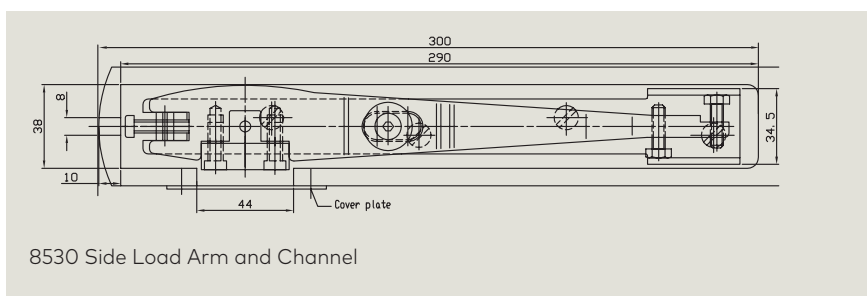
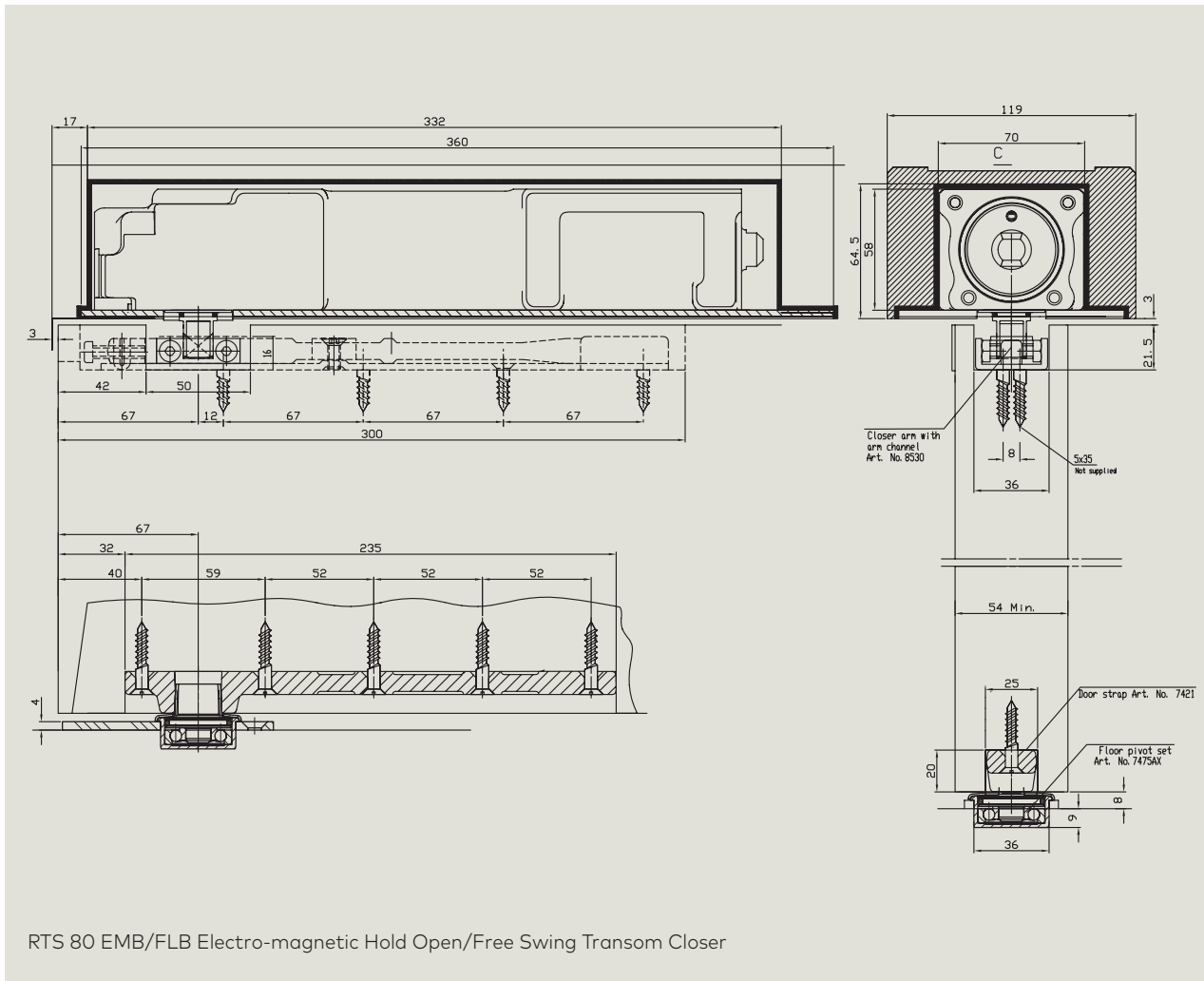
Typical applications



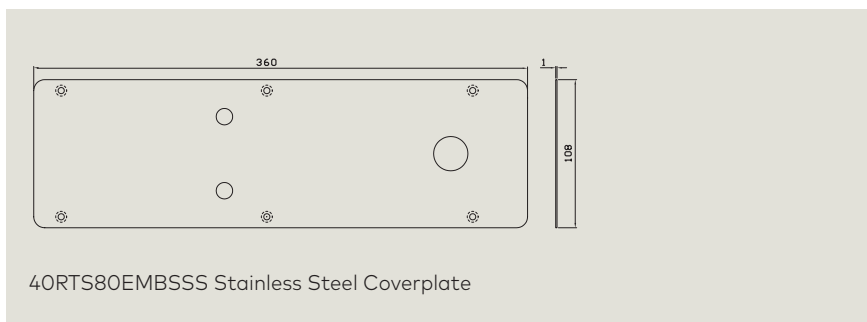
For use on Timber Fire Doors use 40FD6087RTS RTS 87 Intumescent Pack (includes intumescent for Closer Body, Top Arm and Bottom Strap)



Typical applications



For use on Timber Fire Doors use 40FD6080EMB RTS 80EMB Intumescent Pack (includes intumescent for Closer Body, Top Arm and Bottom Strap)



The RTS 80EMB is an electro-magnetic multi-point hold open unit available in sizes EN4 and EN5. Hold open is available from approximately 75 degrees.

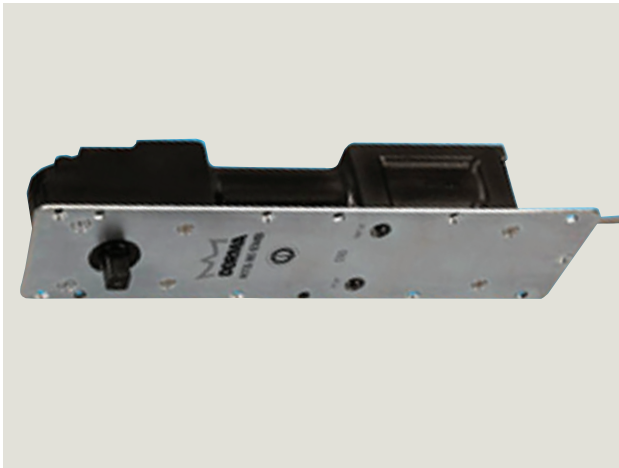
The RTS 80FLB is an electro-magnetic free swing unit available in EN4. Free swing is activated once door is initially opened irrespective of opening angle.

With positive Centering through its Cam Mechanism, fine adjustment of the neutral position can also be made with the drive arm fitted within the door leaf ensuring correct door alignment and performance.

The RTS 80EMB and RTS 80FLB are CE Marked to BS EN1155 and Certifire Approved for use on 1 hour fire doors.



Certifire Approved CF127 for timber fire doors for 1 Hour.



Technical Data		RTS 80EMB		RTS 80FLB
EN Power Size		4 EN	5 EN	4 EN
Maximum Door width		≤ 1100 mm	≤ 1250 mm	≤ 1100 mm
Independent Valve Adjustable Closing Speed 175° - 7°		●	●	●
Independent Valve Adjustable Latching Speed 7° - 0°		●	●	●
Mechanical Backcheck		●	●	●
Double Action and Single Action Doors		●	●	●
Universal Non Handed Unit		●	●	●
Electro-magnetic Hold Open between 75° and 175°		●	●	
Electro-magnetic Free Swing between 0° and 175°				●
Fixing plate dimensions (& body) in mm	Length	360 (335)	360 (335)	360 (335)
	Width	108 (70)	108 (70)	108 (70)
	Height	61	61	61
Weight in kg		8.2	8.2	8.2
Operating voltage in DC +/-15%, residual ripple max. 30%		24 V DC	24 V DC	24 V DC
Power input in Watts		2.3	2.3	2.3
Door Closer tested to BS EN1154		●	●	●
Hold Open / Free Swing between Devices tested to BS EN1155		●	●	●
CE Marked		●	●	●
Certifire Approved		●	●	●

Our products



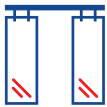
Mechanical Key Systems

Systems that enable access rights and key control to all rooms within the premises



Door Hardware

Solutions for residential or commercial projects



Interior Glass Systems

System solutions made from glass for a wide range of everyday and office applications



Entrance Systems

Automated access solutions for convenient access to buildings



Lodging Systems

Hotel locks and locking systems as well as access management solutions for holiday homes



Safe Locks

Security locks for preventing unauthorized access to goods, valuables, information or hazardous substances



Electronic Access & Data

Electronic access control and workforce management for efficient access management, security and data collection



Services

Tailor-made services and customized maintenance for long-term functional integrity of access and security solutions

dormakaba UK & Ireland

E: info.gb@dormakaba.com

Wilbury Way, Hitchin
Hertfordshire
SG4 0AB
T: +44(0)1462 477600
F: +44(0)1462 477601

Lower Moor Way
Tiverton, Devon
EX16 6SS
T: +44(0)870 000 5625
F: +44(0)870 000 5397

