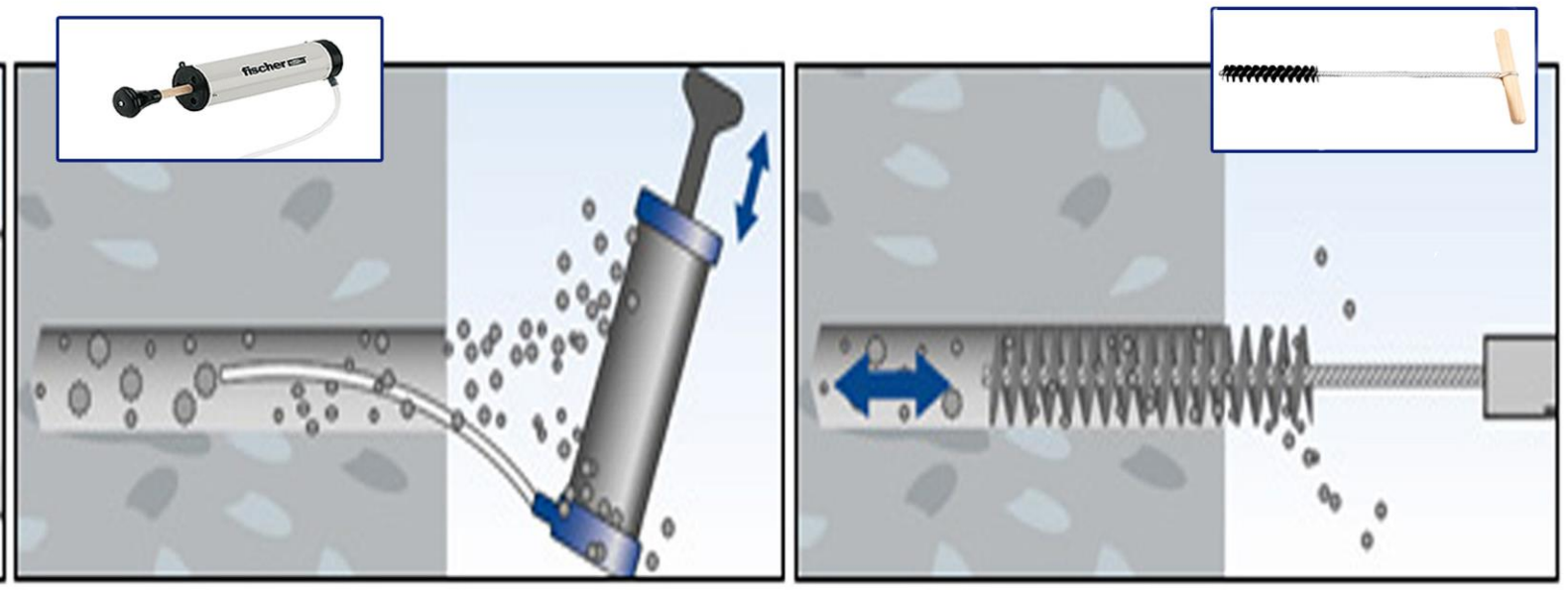
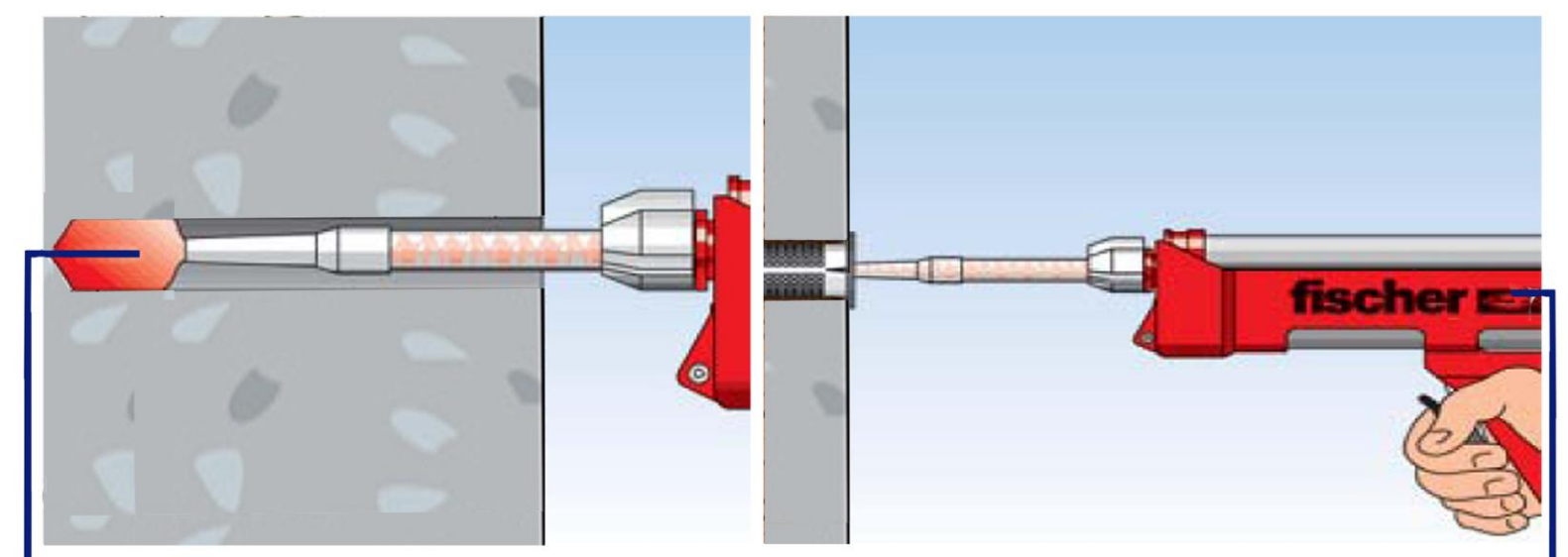


Resin Injection Tool Set

Usage illustration:



After drilling the correct size fixing hole, clean with the air pump and brush respectively to remove dust and debris. Clean twice to achieve the perfect fixing surface.



Set the injection mortar into the applicator gun to insert the resin or mortar before inserting and fixing the anchor bolt.

